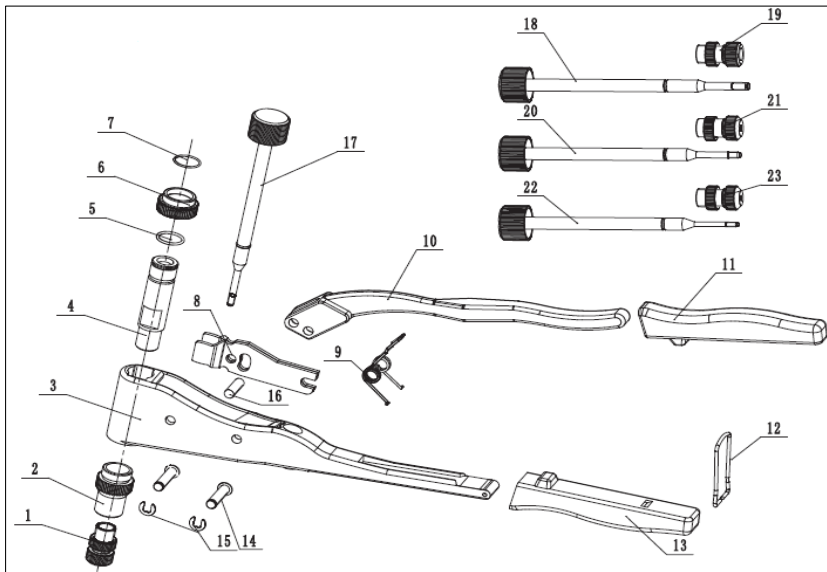


E-360NH



N°	Référence	Désignation
1	E-360NH-NEZ-06	anvil set M6
2	E-360NH-SP02	anvil sleeve
3	E-360NH-SP03	lower body
4	E-360NH-SP04	puller core
5	E-360NH-SP05	O-ring
6	E-360NH-SP06	adjust nut
7	E-360NH-SP07	circlip
8	A00331-00	lever plate
9	P01371-00	torsion spring
10	E-360NH-SP10	upper lever
11	E-360NH-SP11	upper grip
12	P01373-00	hook
13	E-360NH-SP13	lower grip
14	P01368-00	pin
15	E-360NH-SP15	circlip
16	P00806-00	pin
17	E-360NH-TIGE-06	mandrel puller M6
18	E-360NH-TIGE-05	mandrel puller M5
19	E-360NH-NEZ-05	anvil set M5
20	E-360NH-TIGE-04	mandrel puller M4
21	E-360NH-NEZ-04	anvil set M4
22	E-360NH-TIGE-03	mandrel puller M3
23	E-360NH-NEZ-03	anvil set M3

