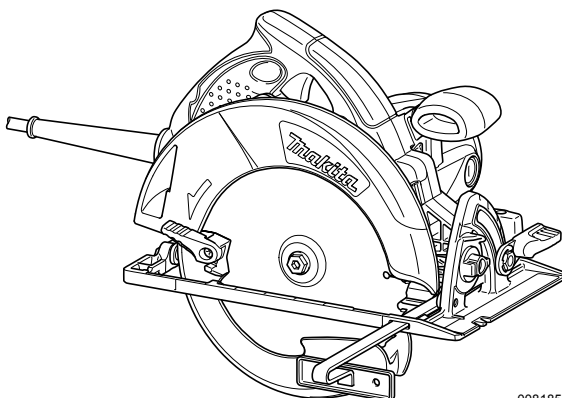




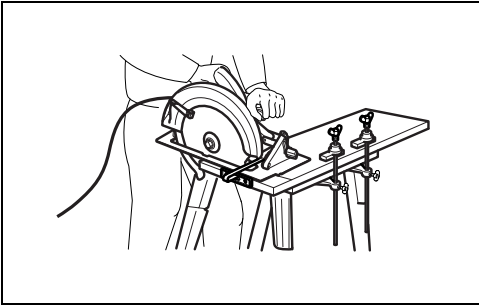
<b>GB</b>	<b>Circular Saw</b>	<b>Instruction manual</b>
<b>F</b>	<b>Scie circulaire</b>	<b>Manuel d'instructions</b>
<b>D</b>	<b>Kreissäge</b>	<b>Betriebsanleitung</b>
<b>I</b>	<b>Sega circolare</b>	<b>Istruzioni per l'uso</b>
<b>NL</b>	<b>Handcirkelzaag</b>	<b>Gebruiksaanwijzing</b>
<b>E</b>	<b>Sierra circular</b>	<b>Manual de instrucciones</b>
<b>P</b>	<b>Serra circular</b>	<b>Manual de instruções</b>
<b>DK</b>	<b>Rundsav</b>	<b>Brugsanvisning</b>
<b>GR</b>	<b>Δισκοπρίονο</b>	<b>Οδηγίες χρήσης</b>

# 5008MG



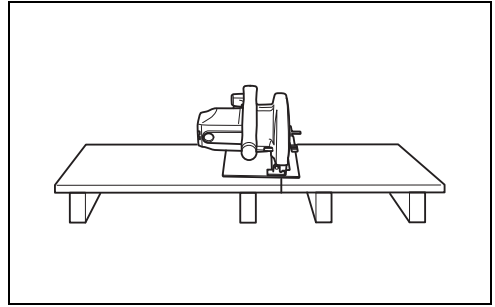
008185





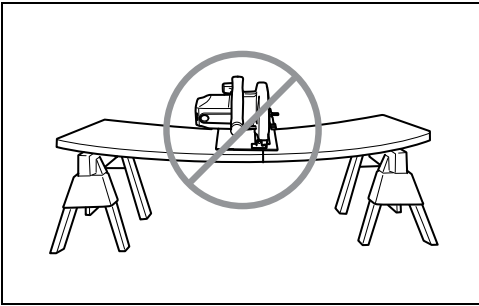
1

000157



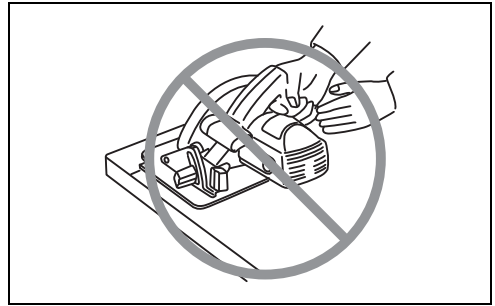
2

000154



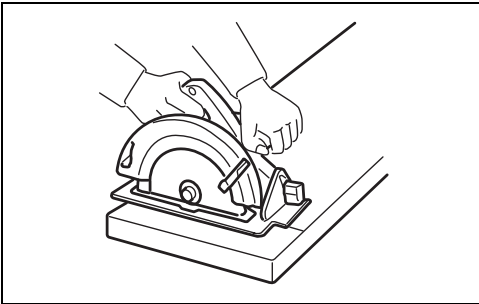
3

000156



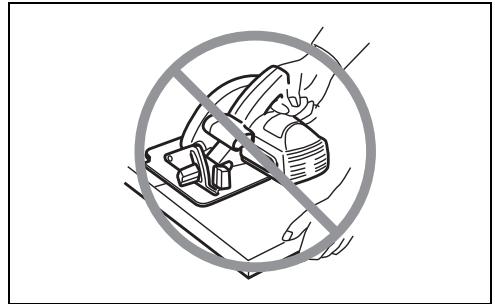
4

000194



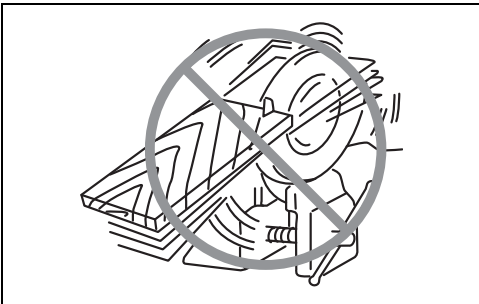
5

000147



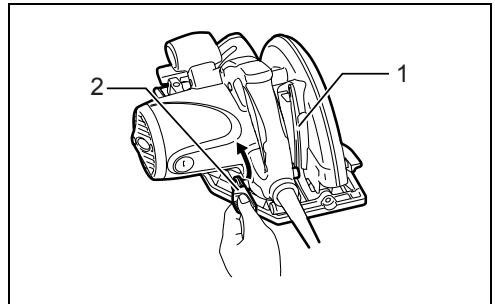
6

000150



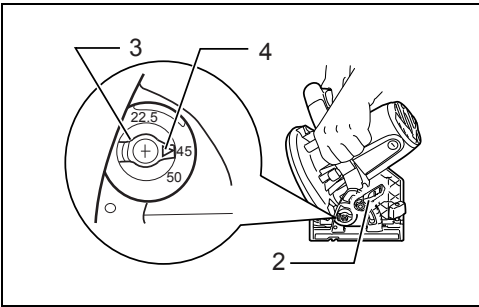
7

000029



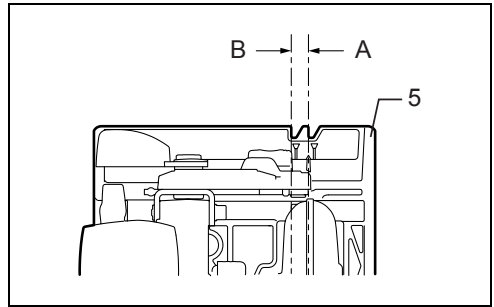
8

007326



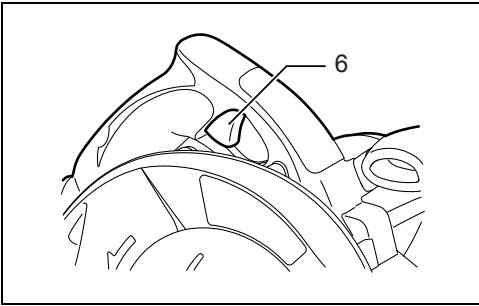
**9**

008186



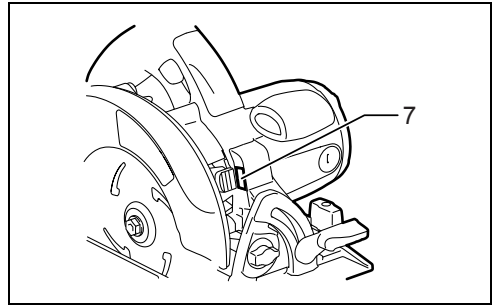
**10**

007328



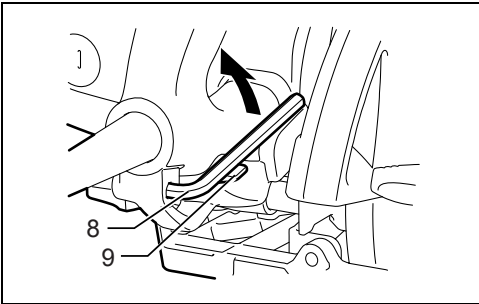
**11**

007329



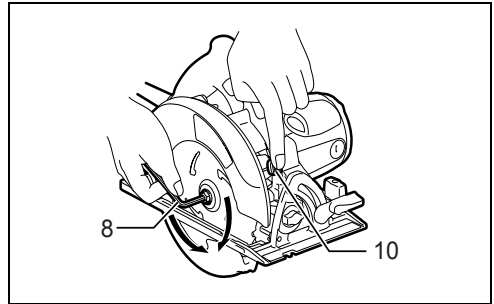
**12**

007351



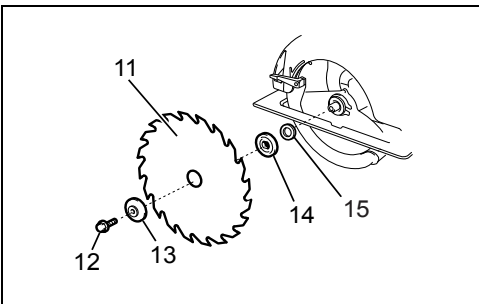
**13**

007331



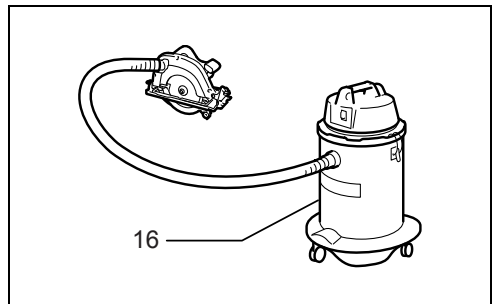
**14**

007330



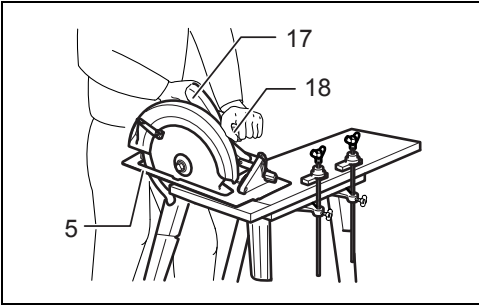
**15**

007352



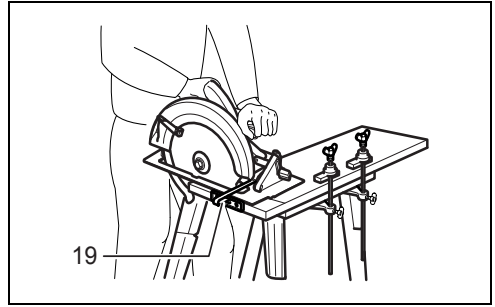
**16**

005414



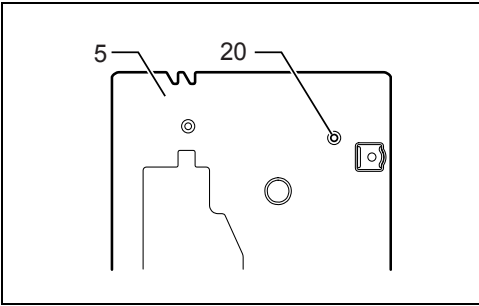
**17**

001460



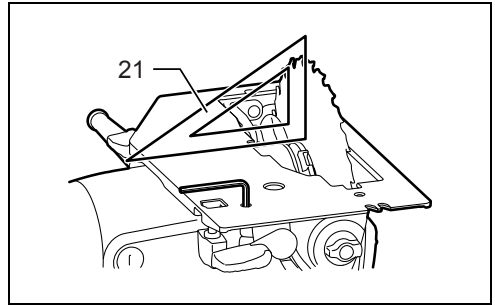
**18**

001480



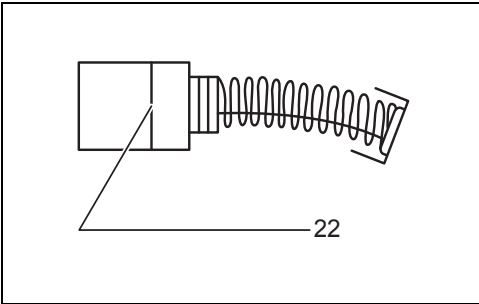
**19**

007332



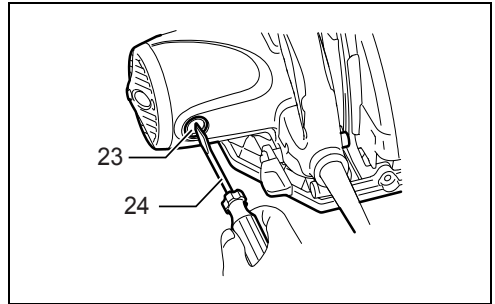
**20**

007333



**21**

001145



**22**

007334

## ENGLISH (Original instructions)

### Explanation of general view

- |                              |                    |                            |
|------------------------------|--------------------|----------------------------|
| 1. Depth guide               | 9. Protrusion      | 17. Rear handle            |
| 2. Lever                     | 10. Shaft lock     | 18. Front grip             |
| 3. Positive stopper          | 11. Saw blade      | 19. Rip fence (Guide rule) |
| 4. Arrow on positive stopper | 12. Hex bolt       | 20. Adjusting screw        |
| 5. Base                      | 13. Outer flange   | 21. Triangular rule        |
| 6. Switch trigger            | 14. Inner flange   | 22. Limit mark             |
| 7. Lamp                      | 15. Ring           | 23. Brush holder cap       |
| 8. Hex wrench                | 16. Vacuum cleaner | 24. Screwdriver            |

## SPECIFICATIONS

Model		5008MG
Blade diameter		210 mm
Max. Cutting depth	at 90°	75.5 mm
	at 45°	57 mm
	at 50°	51.5 mm
No load speed (min <sup>-1</sup> )		5,200
Overall length		332 mm
Net weight		5.1 kg
Safety class		□/II

- Due to our continuing program of research and development, the specifications herein are subject to change without notice.
- Specifications may differ from country to country.
- Weight according to EPTA-Procedure 01/2003

### Intended use

ENE028-1

The tool is intended for performing lengthways and crossways straight cuts and mitre cuts with angles in wood while in firm contact with the workpiece.

### Power supply

ENF002-2

The tool should be connected only to a power supply of the same voltage as indicated on the nameplate, and can only be operated on single-phase AC supply. They are double-insulated and can, therefore, also be used from sockets without earth wire.

### For public low-voltage distribution systems of between 220 V and 250 V.

ENF100-1

Switching operations of electric apparatus cause voltage fluctuations. The operation of this device under unfavorable mains conditions can have adverse effects to the operation of other equipment. With a mains impedance equal or less than 0.37 Ohms it can be presumed that there will be no negative effects. The mains socket used for this device must be protected with a fuse or protective circuit breaker having slow tripping characteristics.

## General Power Tool Safety Warnings

GEA010-1

**⚠ WARNING** Read all safety warnings and all instructions. Failure to follow the warnings and instructions may result in electric shock, fire and/or serious injury.

## Save all warnings and instructions for future reference.

## CIRCULAR SAW SAFETY WARNINGS

GEB013-6

### Cutting procedures

1. **⚠ DANGER: Keep hands away from cutting area and the blade. Keep your second hand on auxiliary handle, or motor housing.** If both hands are holding the saw, they cannot be cut by the blade.
2. **Do not reach underneath the workpiece.** The guard cannot protect you from the blade below the workpiece.
3. **Adjust the cutting depth to the thickness of the workpiece.** Less than a full tooth of the blade teeth should be visible below the workpiece.
4. **Never hold piece being cut in your hands or across your leg. Secure the workpiece to a stable platform.** It is important to support the work properly to minimize body exposure, blade binding, or loss of control.

**A typical illustration of proper hand support, workpiece support, and supply cord routing (if applicable). (Fig. 1)**

5. **Hold the power tool by insulated gripping surfaces only, when performing an operation where the cutting tool may contact hidden wiring or its own cord.** Contact with a "live" wire will also make exposed metal parts of the power tool "live" and could give the operator an electric shock.

6. **When ripping, always use a rip fence or straight edge guide.** This improves the accuracy of cut and reduces the chance of blade binding.
7. **Always use blades with correct size and shape (diamond versus round) of arbour holes.** Blades that do not match the mounting hardware of the saw will run eccentrically, causing loss of control.
8. **Never use damaged or incorrect blade washers or bolt.** The blade washers and bolt were specially designed for your saw, for optimum performance and safety of operation.
15. **Use extra caution when sawing into existing walls or other blind areas.** The protruding blade may cut objects that can cause kickback.
16. **ALWAYS hold the tool firmly with both hands. NEVER place your hand or fingers behind the saw.** If kickback occurs, the saw could easily jump backwards over your hand, leading to serious personal injury. (Fig. 4)
17. **Never force the saw. Push the saw forward at a speed so that the blade cuts without slowing.** Forcing the saw can cause uneven cuts, loss of accuracy, and possible kickback.

#### **Kickback causes and related warnings**

- kickback is a sudden reaction to a pinched, bound or misaligned saw blade, causing an uncontrolled saw to lift up and out of the workpiece toward the operator;
- when the blade is pinched or bound tightly by the kerf closing down, the blade stalls and the motor reaction drives the unit rapidly back toward the operator;
- if the blade becomes twisted or misaligned in the cut, the teeth at the back edge of the blade can dig into the top surface of the wood causing the blade to climb out of the kerf and jump back toward the operator.

Kickback is the result of saw misuse and/or incorrect operating procedures or conditions and can be avoided by taking proper precautions as given below.

9. **Maintain a firm grip with both hands on the saw and position your arms to resist kickback forces. Position your body to either side of the blade, but not in line with the blade.** Kickback could cause the saw to jump backwards, but kickback forces can be controlled by the operator, if proper precautions are taken.
10. **When blade is binding, or when interrupting a cut for any reason, release the trigger and hold the saw motionless in the material until the blade comes to a complete stop. Never attempt to remove the saw from the work or pull the saw backward while the blade is in motion or kickback may occur.** Investigate and take corrective actions to eliminate the cause of blade binding.
11. **When restarting a saw in the workpiece, centre the saw blade in the kerf and check that saw teeth are not engaged into the material.** If saw blade is binding, it may walk up or kickback from the workpiece as the saw is restarted.
12. **Support large panels to minimise the risk of blade pinching and kickback.** Large panels tend to sag under their own weight. Supports must be placed under the panel on both sides, near the line of cut and near the edge of the panel.
13. **Do not use dull or damaged blades.** Unsharpened or improperly set blades produce narrow kerf causing excessive friction, blade binding and kickback.
14. **Blade depth and bevel adjusting locking levers must be tight and secure before making cut.** If blade adjustment shifts while cutting, it may cause binding and kickback.
18. **Check lower guard for proper closing before each use. Do not operate the saw if lower guard does not move freely and close instantly. Never clamp or tie the lower guard into the open position.** If saw is accidentally dropped, lower guard may be bent. Raise the lower guard with the retracting handle and make sure it moves freely and does not touch the blade or any other part, in all angles and depths of cut.
19. **Check the operation of the lower guard spring. If the guard and the spring are not operating properly, they must be serviced before use.** Lower guard may operate sluggishly due to damaged parts, gummy deposits, or a build-up of debris.
20. **Lower guard may be retracted manually only for special cuts such as “plunge cuts” and “compound cuts”.** Raise lower guard by retracting handle and as soon as blade enters the material, the lower guard must be released. For all other sawing, the lower guard should operate automatically.
21. **Always observe that the lower guard is covering the blade before placing saw down on bench or floor.** An unprotected, coasting blade will cause the saw to walk backwards, cutting whatever is in its path. Be aware of the time it takes for the blade to stop after switch is released.
22. **To check lower guard, open lower guard by hand, then release and watch guard closure. Also check to see that retracting handle does not touch tool housing.** Leaving blade exposed is VERY DANGEROUS and can lead to serious personal injury.

#### **Additional safety warnings**

23. **Use extra caution when cutting damp wood, pressure treated lumber, or wood containing knots.** Maintain smooth advancement of tool without decrease in blade speed to avoid overheating the blade tips.
24. **Do not attempt to remove cut material when blade is moving. Wait until blade stops before grasping cut material.** Blades coast after turn off.
25. **Avoid cutting nails. Inspect for and remove all nails from lumber before cutting.**
26. **Place the wider portion of the saw base on that part of the workpiece which is solidly supported, not on the section that will fall off when the cut is made. As examples, Fig. 5 illustrates the RIGHT way to cut off the end of a board, and Fig. 6 the WRONG way. If the workpiece is short or small, clamp it down. DO NOT TRY TO HOLD SHORT PIECES BY HAND!**

27. **Before setting the tool down after completing a cut, be sure that the lower guard has closed and the blade has come to a complete stop.**
28. **Never attempt to saw with the circular saw held upside down in a vise. This is extremely dangerous and can lead to serious accidents. (Fig. 7)**
29. **Some material contains chemicals which may be toxic. Take caution to prevent dust inhalation and skin contact. Follow material supplier safety data.**
30. **Do not stop the blades by lateral pressure on the saw blade.**
31. **Always use blades recommended in this manual. Do not use any abrasive wheels.**
32. **Keep blade sharp and clean.** Gum and wood pitch hardened on blades slows saw and increases potential for kickback. Keep blade clean by first removing it from tool, then cleaning it with gum and pitch remover, hot water or kerosene. Never use gasoline.
33. **Wear a dust mask and hearing protection when use the tool.**

## SAVE THESE INSTRUCTIONS.

**⚠ WARNING:**  
**DO NOT** let comfort or familiarity with product (gained from repeated use) replace strict adherence to safety rules for the subject product. **MISUSE** or failure to follow the safety rules stated in this instruction manual may cause serious personal injury.

## FUNCTIONAL DESCRIPTION

### CAUTION:

- Always be sure that the tool is switched off and unplugged before adjusting or checking function on the tool.

### Adjusting depth of cut (Fig. 8)

#### CAUTION:

- After adjusting the depth of cut, always tighten the lever securely.

Loosen the lever on the depth guide and move the base up or down. At the desired depth of cut, secure the base by tightening the lever. For cleaner, safer cuts, set cut depth so that no more than one blade tooth projects below workpiece. Using proper cut depth helps to reduce potential for dangerous KICKBACKS which can cause personal injury.

### Bevel cutting (Fig. 9)

#### Positive stopper

Turn the positive stopper so that the arrow on it points one of three positions (22.5°, 45°, 50°). Then, tilt the tool base until it stops and secure the base with the lever. At this time, the same angle as the one that the arrow points is obtained.

#### Setting bevel angle

Loosen the lever and tentatively set the tool base at the 0° bevel angle, then tighten the lever securely. Turn the positive stopper so that the arrow on it points one of three positions (22.5°, 45°, 50°) that is equal to or greater than

the desired bevel angle. Loosen the lever again and then tilt and secure the tool base at the desired angle securely.

#### NOTE:

- When changing the positive stopper's position, loosening the lever and tilting the bevel angle to less than the desired stopper position number allows to change it.
- When the arrow on the positive stopper points 22.5, the bevel angle can be adjusted 0 - 22.5°; when the arrow points 45, it can be adjusted 0 - 45°; when the arrow points 50, it can be adjusted 0 - 50°.

### Sighting (Fig. 10)

For straight cuts, align the A position on the front of the base with your cutting line. For 45° bevel cuts, align the B position with it.

### Switch action (Fig. 11)

#### CAUTION:

- Before plugging in the tool, always check to see that the switch trigger actuates properly and returns to the "OFF" position when released.

To start the tool, simply pull the switch trigger. Release the switch trigger to stop.

### Lighting the lamp (Fig. 12)

#### CAUTION:

- Do not apply impact to the lamp, which may cause damage or shorted service time to it.
- Do not look in the light or see the source of light directly.

The lamp lights up when the tool is plugged. The lamp keeps on lighting until the tool is unplugged. If the lamp does not light up, the mains cord or the lamp may be defective. The lamp is lit but the tool does not start even if the tool is switched on, the carbon brushes may be worn out, or the motor or the ON/OFF switch may be defective.

#### NOTE:

- Use a dry cloth to wipe the dirt off the lens of lamp. Be careful not to scratch the lens of lamp, or it may lower the illumination.

## ASSEMBLY

#### CAUTION:

- Always be sure that the tool is switched off and unplugged before carrying out any work on the tool.

### Hex wrench storage (Fig. 13)

Hex wrench is stored on the tool. To remove hex wrench, rotate it toward yourself and pull it out.

To install hex wrench, place it on the handle and turn it until it comes into contact with the protrusion on the handle.

### Removing or installing saw blade (Fig. 14)

#### CAUTION:

- Be sure the blade is installed with teeth pointing up at the front of the tool.
- Use only the Makita wrench to install or remove the blade.

To remove the blade, press the shaft lock so that the blade cannot revolve and use the hex wrench to loosen the hex bolt counterclockwise. Then remove the hex bolt, outer flange and blade.

To install the blade, follow the removal procedure in reverse. **BE SURE TO TIGHTEN THE HEX BOLT CLOCKWISE SECURELY. (Fig. 15)**

When changing blade, make sure to also clean upper and lower blade guards of accumulated sawdust. Such efforts do not, however, replace the need to check lower guard operation before each use.

## Connecting a vacuum cleaner (Fig. 16)

When you wish to perform clean cutting operation, connect a Makita vacuum cleaner to your tool. Install the joint on the tool using the screws. Then connect a hose of the vacuum cleaner to the joint as shown in the figure.

## OPERATION

### CAUTION:

- Be sure to move the tool forward in a straight line gently. Forcing or twisting the tool will result in overheating the motor and dangerous kickback, possibly causing severe injury. (Fig. 17)

Always use a front grip and rear handle and firmly hold the tool by both the front grip and rear handle during operations. The tool is provided with both the front grip and rear handle. If both hands are holding saw, they cannot be cut by the blade. Set the base on the workpiece to be cut without the blade making any contact. Then turn the tool on and wait until the blade attains full speed. Now simply move the tool forward over the workpiece surface, keeping it flat and advancing smoothly until the sawing is completed.

To get clean cuts, keep your sawing line straight and your speed of advance uniform. If the cut fails to properly follow your intended cut line, do not attempt to turn or force the tool back to the cut line. Doing so may bind the blade and lead to dangerous kickback and possible serious injury. Release switch, wait for blade to stop and then withdraw tool. Realign tool on new cut line, and start cut again. Attempt to avoid positioning which exposes operator to chips and wood dust being ejected from saw. Use eye protection to help avoid injury.

## Rip fence (guide rule) (Accessory) (Fig. 18)

The handy rip fence allows you to do extra-accurate straight cuts. Simply slide the rip fence up snugly against the side of the workpiece and secure it in position with the screw on the front of the base. It also makes repeated cuts of uniform width possible.

## MAINTENANCE

### CAUTION:

- Always be sure that the tool is switched off and unplugged before attempting to perform inspection or maintenance.
- Never use gasoline, benzine, thinner, alcohol or the like. Discoloration, deformation or cracks may result.

## Adjusting for accuracy of 90° cut (vertical cut)

This adjustment has been made at the factory. But if it is off, adjust the adjusting screw with a hex wrench while squaring the blade with the base using a triangular rule, try square, etc. (Fig. 19 & 20)

## Replacing carbon brushes (Fig. 21)

Remove and check the carbon brushes regularly. Replace when they wear down to the limit mark. Keep the carbon brushes clean and free to slip in the holders. Both carbon brushes should be replaced at the same time.

Use only identical carbon brushes. Use a screwdriver to remove the brush holder caps. Take out the worn carbon brushes, insert the new ones and secure the brush holder caps. (Fig. 22)

To maintain product SAFETY and RELIABILITY, repairs, any other maintenance or adjustment should be performed by Makita Authorized Service Centers, always using Makita replacement parts.

## OPTIONAL ACCESSORIES

### ⚠ CAUTION:

- These accessories or attachments are recommended for use with your Makita tool specified in this manual. The use of any other accessories or attachments might present a risk of injury to persons. Only use accessory or attachment for its stated purpose.

If you need any assistance for more details regarding these accessories, ask your local Makita Service Center.

- Steel & Carbide-tipped saw blades

Combination	General purpose blade for fast and smooth rip, crosscuts and miters.
Pressure treated/ Wet lumber	Designed for fast cutting of pressure treated and wet lumber.
Fine cross cuts	For sand-free cuts cleanly against the grain.

006549

- Rip fence (Guide rule)
- Hex wrench
- Dust nozzle (joint)

### NOTE:

- Some items in the list may be included in the tool package as standard accessories. They may differ from country to country.

### Noise

ENG905-1

The typical A-weighted noise level determined according to EN60745:

Sound pressure level ( $L_{pA}$ ): 89 dB (A)

Sound power level ( $L_{WA}$ ): 100 dB (A)

Uncertainty (K): 3 dB (A)

**Wear ear protection.**

### Vibration

ENG900-1

The vibration total value (tri-axial vector sum) determined according to EN60745:

Work mode: cutting wood

Vibration emission ( $a_{h,W}$ ): 3.0 m/s<sup>2</sup>

Uncertainty (K): 1.5 m/s<sup>2</sup>



- The declared vibration emission value has been measured in accordance with the standard test method and may be used for comparing one tool with another.
- The declared vibration emission value may also be used in a preliminary assessment of exposure.

**⚠ WARNING:**

- The vibration emission during actual use of the power tool can differ from the declared emission value depending on the ways in which the tool is used.
- Be sure to identify safety measures to protect the operator that are based on an estimation of exposure in the actual conditions of use (taking account of all parts of the operating cycle such as the times when the tool is switched off and when it is running idle in addition to the trigger time).

**For European countries only**

ENH101-16

**EC Declaration of Conformity**

**We Makita Corporation as the responsible manufacturer declare that the following Makita machine(s):**

Designation of Machine: Circular Saw  
Model No./ Type: 5008MG  
are of series production and

**Conforms to the following European Directives:**  
2006/42/EC

And are manufactured in accordance with the following standards or standardised documents:  
EN60745

The technical documentation is kept by:

Makita International Europe Ltd.  
Technical Department,  
Michigan Drive, Tongwell,  
Milton Keynes, Bucks MK15 8JD, England

30. 1. 2009



Tomoyasu Kato  
Director

Makita Corporation  
3-11-8, Sumiyoshi-cho,  
Anjo, Aichi, 446-8502, JAPAN

## Descriptif

1. Guide de profondeur	10. Blocage de l'arbre	19. Garde parallèle (règle de guidage)
2. Levier	11. Lame de scie	20. Vis de réglage
3. Butée positive	12. Boulon hexagonal	21. Règle triangulaire
4. Flèche sur butée positive	13. Flasque extérieur	22. Repère d'usure
5. Socle	14. Flasque intérieur	23. Bouchon de porte-charbon
6. Gâchette	15. Bague	24. Tournevis
7. Lampe	16. Aspirateur	
8. Clé hexagonale	17. Poignée arrière	
9. Partie saillante	18. Poignée avant	

## SPÉCIFICATIONS

Modèle		5008MG
Diamètre de la lame		210 mm
Capacité de coupe max.	à 90°	75,5 mm
	à 45°	57 mm
	à 50°	51,5 mm
Vitesse à vide (min <sup>-1</sup> )		5 200
Longueur totale		332 mm
Poids net		5,1 kg
Niveau de sécurité		□/II

- Étant donné l'évolution constante de notre programme de recherche et de développement, les spécifications contenues dans ce manuel sont sujettes à des modifications sans préavis.
- Les spécifications peuvent varier suivant les pays.
- Poids conforme à la procédure EPTA 01/2003

### Utilisations

ENE028-1

L'outil est conçu pour les coupes en longueur et les coupes transversales, ainsi que pour les coupes d'onglet angulaires dans le bois en maintenant un contact ferme avec la pièce à travailler.

### Alimentation

ENF002-2

L'outil ne doit être raccordé qu'à une alimentation de la même tension que celle qui figure sur la plaque signalétique, et il ne peut fonctionner que sur un courant secteur monophasé. Réalisé avec une double isolation, il peut de ce fait être alimenté sans mise à la terre.

### Pour système d'alimentation électrique à basse tension, de 220 V à 250 V.

ENF100-1

La mise sous/hors tension des appareils électriques entraîne des fluctuations de la tension. L'utilisation de cet appareil sur une source d'alimentation inadéquate peut affecter le fonctionnement d'autres appareils. On peut considérer qu'il n'aura pas d'effets négatifs si l'impédance de la source d'alimentation est inférieure ou égale à 0,37 Ohms. La prise de courant utilisée pour cet appareil doit être protégée par un fusible ou un disjoncteur de protection à déclenchement lent.

## Consignes de sécurité générales des outils électriques

GEA010-1

**⚠ AVERTISSEMENT** Veuillez lire toutes les consignes de sécurité et les instructions. Il y a un risque de choc électrique, d'incendie et/ou de blessure grave si les consignes et les instructions ne sont pas toutes respectées.

## Conservez toutes les consignes et instructions pour référence ultérieure.

## AVERTISSEMENTS DE SÉCURITÉ CONCERNANT LA SCIE CIRCULAIRE

GEB013-6

### Procédures de coupe

1. **⚠ DANGER : gardez vos mains à l'écart de la zone de coupe et de la lame. Laissez votre deuxième main sur la poignée auxiliaire ou le carter du moteur.** Vous ne risquez pas de vous coupez les mains si vous les utilisez toutes les deux pour tenir la scie.
2. **Ne placez aucune partie de votre corps sous la pièce à travailler.** Le carter ne peut pas vous protéger de la lame sous la pièce à travailler.
3. **Régalez la profondeur de coupe suivant l'épaisseur de la pièce à travailler.** La partie de la lame visible sous la pièce à travailler doit être moindre qu'une dent de lame complète.
4. **Ne tenez jamais la pièce avec les mains ou contre la jambe. Immobilisez la pièce contre une surface stable.** Il est important que la pièce soit soutenue correctement pour minimiser l'exposition du corps, les pincements de lame et les pertes de contrôle.

**Exemple typique d'une bonne prise, d'une pièce bien soutenue et du placement correct du cordon d'alimentation (le cas échéant). (Fig. 1)**

5. **Saisissez l'outil électrique par ses surfaces de poigne isolées uniquement lorsque vous effectuez une opération au cours de laquelle la lame de l'outil peut entrer en contact avec des fils cachés ou avec son cordon d'alimentation.** Le contact avec un fil sous tension mettra également les parties métalliques exposées de l'outil sous tension, risquant ainsi de provoquer un choc électrique chez l'utilisateur.
6. **Lors du sciage en long, utilisez toujours un garde parallèle ou un guide de coupe rectiligne.** La coupe sera plus précise et cela réduira les risques de pincement de la lame.
7. **Utilisez toujours des lames dont l'orifice central est de taille et de forme (diamantée ou circulaire) appropriés.** Si la lame utilisée n'est pas conçue pour la scie, elle tournera de manière excentrique et pourra causer une perte de contrôle de l'outil.
8. **N'utilisez jamais de rondelles ou boulons endommagés ou inadéquats pour fixer la lame.** Les rondelles et le boulon ont été conçus exclusivement pour votre scie, afin de garantir des performances optimales et une utilisation sûre.

#### **Causes du choc en retour et avertissements afférents**

- Le choc en retour est une réaction soudaine de l'outil lorsque la lame est coincée, pincée ou désalignée, et la scie, hors de contrôle, se soulève alors et se désolidarise de la pièce en se dirigeant vers l'utilisateur ;
- Lorsque la lame se coince ou est pincée par le trait de scie qui se referme sur elle, elle se bloque et la réaction du moteur entraîne la projection de l'outil à grande vitesse vers l'utilisateur ;
- Si la lame se tord ou se désaligne par rapport à la ligne de coupe, les dents arrière risquent de creuser la surface supérieure du bois ; la lame sortira alors du trait de scie et bondira vers l'utilisateur.

Le choc en retour est dû à une mauvaise utilisation de l'outil et/ou à des procédures ou conditions de travail inappropriées. Il peut être évité en prenant les mesures appropriées, telles qu'indiquées ci-dessous.

9. **Maintenez fermement la scie à l'aide des deux mains et placez vos bras de sorte qu'ils puissent résister à la force du choc en retour. Placez-vous d'un côté ou de l'autre de la lame, jamais dans sa ligne de coupe.** Le choc en retour peut faire bondir la scie vers l'arrière, mais l'utilisateur pourra alors maîtriser la force du choc en retour s'il prend les précautions nécessaires.
  10. **Si la lame se pince ou si vous interrompez la coupe pour une raison quelconque, relâchez la gâchette et maintenez la scie immobile dans le matériau jusqu'à l'arrêt complet de la lame.** N'essayez jamais de retirer la scie de la pièce ou de la faire reculer alors que la lame tourne encore, au risque de provoquer un choc en retour. Identifiez la cause du pincement de la lame et prenez les mesures correctives pour éliminer ladite cause.
  11. **Avant de redémarrer la scie dans la pièce, centrez la lame dans le trait de scie et assurez-vous que les dents ne pénètrent pas dans le matériau.** Si la lame se pince, elle risque de ressortir du trait ou de causer un choc en retour au moment du redémarrage de l'outil.
  12. **Placez un dispositif de soutien sous les grandes pièces pour réduire les risques de pincement et de choc en retour.** Les grandes pièces ont tendance à s'affaisser sous leur propre poids. Des dispositifs de soutien doivent être installés sous la pièce, de chaque côté, près de la ligne de coupe et des bords de la pièce.
- Pour éviter les chocs en retour, assurez un soutien à la planche ou à la pièce près de la ligne de coupe. (Fig. 2)**
- Ne placez pas le dispositif de soutien de la planche ou de la pièce loin de la ligne de coupe. (Fig. 3)**
13. **N'utilisez pas de lames émoussées ou endommagées.** Les lames mal affûtées ou mal fixées produisent un trait de scie étroit, entraînant une friction excessive, le pincement de la lame et un choc en retour.
  14. **Serrez fermement et sûrement les leviers de verrouillage de la profondeur de coupe et du réglage de l'angle avant de procéder à la coupe.** Il y a un risque de pincement et de choc en retour si les réglages de la lame sont modifiés pendant la coupe.
  15. **Faites preuve d'une extrême vigilance lorsque vous sciez dans des murs existants ou d'autres zones aveugles.** La lame, après avoir traversé la surface, peut entrer en contact avec ces objets et causer un choc en retour.
  16. **Tenez TOUJOURS l'outil fermement à deux mains. Ne posez JAMAIS une main ou des doigts derrière la lame.** En cas de choc en retour, l'outil pourrait facilement ressauter et passer sur votre main, vous infligeant des blessures graves. (Fig. 4)
  17. **Ne forcez jamais la scie. Faites avancer la scie à une vitesse permettant à la lame de tourner sans perte de vitesse.** Le fait de forcer la scie peut résulter en des coupes inégales, une perte de précision et un choc en retour.

#### **Carter de protection inférieur**

18. **Avant chaque utilisation, assurez-vous que le carter de protection inférieur se ferme correctement. N'utilisez pas la scie si le carter de protection inférieur ne se déplace pas librement et ne se referme pas immédiatement. Évitez d'immobiliser ou de fixer le carter de protection inférieur en position ouverte.** Le carter de protection inférieur risque de se plier si vous laissez échapper la scie par accident. Soulevez le carter de protection inférieur à l'aide de la poignée rétractable et assurez-vous qu'il se déplace librement sans entrer en contact avec la lame ou toute autre partie de la scie, et ce quels que soient l'angle et la profondeur de coupe.
19. **Vérifiez le fonctionnement du ressort du carter de protection inférieur. Le carter de protection et le ressort doivent être réparés avant utilisation s'ils ne fonctionnent pas correctement.** Le fonctionnement du carter de protection inférieur peut être ralenti par des pièces endommagées, des dépôts gluants ou l'accumulation de débris.
20. **Le carter de protection inférieur ne peut être rétracté manuellement que lors des coupes spéciales, comme par exemple les « coupes en plongées » et les « coupes composées ».** Soulevez le carter de protection inférieur à l'aide de la poignée rétractable et relâchez-le dès que la

**lame entre en contact avec le matériau.** Pour tout autre type de coupe, laissez le carter de protection inférieur fonctionner automatiquement.

21. **Assurez-vous toujours que le carter de protection inférieur recouvre la lame avant de poser la scie sur l'établi ou le plancher.** La scie risque de se déplacer vers l'arrière et de couper tout ce qui se trouve sur sa trajectoire si la lame n'est pas recouverte et tourne encore. N'oubliez pas qu'il faut un certain temps avant que la lame s'arrête une fois la gâchette relâchée.
22. **Pour vérifier que le carter de protection inférieur se referme bien, ouvrez-le manuellement et relâchez-le. Assurez-vous également que la poignée rétractable ne touche pas le carter de l'outil.** Une lame exposée est TRÈS DANGEREUSE et peut causer de graves blessures.

#### **Autres avertissements de sécurité**

23. **Soyez encore plus prudent pour couper du bois mouillé, du bois traité sous pression ou du bois qui contient des nœuds.** Laissez l'outil avancer en douceur sans diminuer la vitesse de la lame pour éviter la surchauffe de son extrémité.
24. **N'essayez pas de retirer le matériau coupé pendant que la lame tourne. Attendez l'arrêt total de la lame avant de saisir le bout de matériau coupé.** La lame continue de tourner même une fois le contact coupé.
25. **Prenez garde aux clous pendant la coupe. Vérifiez le bois et retirez tous les clous avant de travailler.**
26. **Placez la partie la plus large du socle de la scie sur la partie de la pièce qui est solidement soutenue, non sur celle qui tombera une fois la coupe terminée. À titre d'exemples, la Fig. 5 illustre la BONNE façon de couper l'extrémité d'une planche, tandis que la Fig. 6 illustre la MAUVAISE façon. Si la pièce est courte ou petite, placez-la dans un dispositif de serrage. N'ESSAYEZ PAS DE MAINTENIR LES PETITES PIÈCES AVEC LA MAIN !**
27. **Avant de déposer l'outil une fois la coupe terminée, assurez-vous que le carter de protection inférieur est fermé et que la lame est parfaitement immobile.**
28. **N'essayez jamais de scier en plaçant la scie circulaire à l'envers dans un étau. Cela est très dangereux et peut entraîner des accidents graves. (Fig. 7)**
29. **Certains matériaux contiennent des produits chimiques qui peuvent être toxiques. Veillez à éviter toute inhalation de poussière et tout contact avec la peau. Observez les consignes de sécurité du fabricant.**
30. **N'appliquez jamais de pression latérale sur la lame pour l'arrêter.**
31. **Utilisez toujours les lames spécifiées dans ce manuel. N'utilisez pas de disques abrasifs.**
32. **Maintenez la lame bien affûtée et propre.** Les dépôts de colle et les copeaux de bois qui durcissent contre la lame ralentissent la scie et augmentent les risques de choc en retour. Pour nettoyer la lame, retirez-la d'abord de l'outil, puis nettoyez-la avec un décapant, de l'eau chaude ou du kérosène. N'utilisez jamais d'essence.

33. **Portez un masque antipoussières et des protections d'oreilles lorsque vous utilisez l'outil.**

## **CONSERVEZ CES INSTRUCTIONS.**

### **⚠ AVERTISSEMENT :**

**NE vous laissez PAS tromper (au fil d'une utilisation répétée) par un sentiment d'aisance et de familiarité avec le produit, en négligeant le respect rigoureux des consignes de sécurité qui accompagnent l'outil. Une UTILISATION INCORRECTE de l'outil ou un non-respect des consignes de sécurité indiquées dans ce manuel d'instructions peuvent causer des blessures graves.**

## **DESCRIPTION DU FONCTIONNEMENT**

### **ATTENTION :**

- Assurez-vous toujours que l'outil est éteint et débranché avant de l'ajuster ou de vérifier son fonctionnement.

### **Réglage de la profondeur de coupe (Fig. 8)**

#### **ATTENTION :**

- Après avoir ajusté la profondeur de coupe, serrez toujours fermement le levier.

Desserrez le levier sur le guide profondeur et déplacez la base vers le haut ou le bas. À la profondeur de coupe désirée, fixez la base en serrant le levier. Pour obtenir des coupes plus propres et les effectuer de manière plus sûre, réglez la profondeur de coupe de sorte que pas plus d'une dent de lame ne dépasse sous la pièce. Une profondeur de coupe adéquate aide à réduire les risques de dangereux CHOCS EN RETOUR et de blessures.

### **Coupe en biseau (Fig. 9)**

#### **Butée positive**

Tournez la butée positive pour que sa flèche pointe vers l'une des trois positions (22,5°, 45°, 50°). Inclinez alors la base de l'outil jusqu'à l'arrêt et fixez la base avec le levier. A ce moment, vous obtenez le même angle que celui indiqué par la flèche.

#### **Réglage de l'angle de biseau**

Desserrez le levier et orientez la base de l'outil à 0°, puis serrez fermement le levier. Tournez la butée positive pour que sa flèche pointe vers l'une des trois positions (22,5°, 45°, 50°) qui est égale ou supérieure à l'angle de biseau désiré. Desserrez de nouveau le levier et orientez et sécurisez la base de l'outil à l'angle désiré.

#### **REMARQUE :**

- Lors de la modification de la position de la butée positive, desserrez le levier et diminuez l'angle de biseau à une valeur inférieure à ce que celle autorisée par la valeur désirée de la butée positive.
- Lorsque la flèche de la butée positive indique 22,5°, l'angle de biseau peut être réglé entre 0 et 22,5° ; lorsque la flèche pointe sur 45°, il peut être réglé entre 0 et 45° ; et lorsque la flèche indique 50°, il peut être réglé entre 0 et 50°.

## Visée (Fig. 10)

Pour les coupes rectilignes, alignez sur la ligne de coupe la position A à l'avant du socle. Pour les coupes en biseau de 45°, alignez la position B sur la ligne de coupe.

## Interrupteur (Fig. 11)

### ATTENTION :

- Avant de brancher l'outil, vérifiez toujours que la gâchette fonctionne correctement et revient en position d'arrêt (« OFF ») lorsqu'elle est relâchée.

Pour mettre l'outil en marche, appuyez simplement sur la gâchette. Pour l'arrêter, relâchez la gâchette.

## Allumage de la lampe (Fig. 12)

### ATTENTION :

- Ne soumettez la lampe à aucun impact, pour éviter de l'endommager ou de réduire sa durée de service.
- Ne regardez pas directement la lumière ou la source de lumière.

La lampe s'allume lorsque l'outil est branché sur l'alimentation. La lampe demeure allumée jusqu'à ce que l'outil soit débranché de l'alimentation.

Si la lampe ne s'allume pas, il se peut que le cordon d'alimentation ou la lampe soit défectueux. Si la lampe est allumée, mais que l'outil ne démarre pas même si vous activez la gâchette, il se peut que les charbons soient usés ou que le moteur ou l'interrupteur MARCHE/ARRÊT soit défectueux.

### REMARQUE :

- Utilisez un chiffon sec pour essuyer les saletés qui recouvrent la lentille de la lampe. Prenez garde de rayer la lentille de la lampe, sinon sa capacité d'éclairage sera affectée.

## ASSEMBLAGE

### ATTENTION :

- Avant d'effectuer toute intervention sur l'outil, assurez-vous toujours qu'il est éteint et débranché.

## Rangement de la clé hexagonale (Fig. 13)

La clé hexagonale est rangée dans l'outil. Pour retirer la clé hexagonale, faites-la pivoter vers vous puis extrayez-la.

Pour installer la clé hexagonale, placez-la sur la poignée et tournez-la jusqu'à ce qu'elle entre en contact avec la partie saillante de la poignée.

## Retrait ou installation de la lame de la scie (Fig. 14)

### ATTENTION :

- Assurez-vous que la lame est installée avec les dents orientées vers le haut à l'avant de l'outil.
- Utilisez exclusivement une clé Makita pour installer ou retirer la lame.

Pour retirer la lame, appuyez sur le blocage de l'arbre de sorte que la lame ne puisse pas tourner, et desserrez le boulon hexagonal à l'aide de la clé, en tournant dans le sens inverse des aiguilles d'une montre. Retirez ensuite le boulon hexagonal, le flasque extérieur et la lame.

Pour poser la lame, suivez la procédure de retrait dans l'ordre inverse. ASSUREZ-VOUS D'AVOIR FERMEMENT

SERRÉ LE BOULON HEXAGONAL EN TOURNANT DANS LE SENS DES AIGUILLES D'UNE MONTRE.

### (Fig. 15)

Lorsque vous changez de lame, vous devez retirer la sciure de bois accumulée sur les carters de protection supérieur et inférieur. Il faut vérifier le bon fonctionnement du carter de protection inférieur avant chaque utilisation, même après un nettoyage.

## Raccordement à un aspirateur (Fig. 16)

Pour effectuer un travail plus propre, raccordez un aspirateur Makita à votre outil. Installez le raccord sur l'outil à l'aide des vis. Connectez ensuite le tuyau de l'aspirateur au raccord, tel qu'illustré sur la figure.

## UTILISATION

### ATTENTION :

- Vous devez faire avancer l'outil doucement, en ligne droite. Le fait de forcer ou de tordre l'outil causerait une surchauffe du moteur et un dangereux choc en retour, risquant d'entraîner une blessure grave.

### (Fig. 17)

Utilisez toujours la poignée latérale et frontale et tenez fermement et simultanément l'outil par les poignées frontales et arrière pendant l'utilisation. L'outil est doté d'une poignée avant et d'une poignée arrière. Vous ne risquerez pas de vous couper les mains si vous les utilisez toutes les deux pour tenir la scie. Placez le socle de l'outil sur la pièce de sorte que la lame n'entre pas en contact avec quoi que ce soit. Mettez ensuite l'outil sous tension et attendez que la lame ait atteint sa pleine vitesse. Ensuite, déplacez simplement l'outil vers l'avant sur la surface de la pièce, en le maintenant bien à plat et en le faisant avancer doucement, jusqu'à ce que la coupe soit terminée.

Pour des coupes propres, évitez de dévier de la ligne de coupe et faites avancer l'outil à une vitesse uniforme. Si la lame dévie de la ligne de coupe prévue, ne tentez pas de modifier la course de l'outil pour le forcer à revenir sur la ligne de coupe. Vous risqueriez de plier la lame et de provoquer un dangereux choc en retour pouvant causer une grave blessure. Libérez la gâchette, attendez l'arrêt complet de la lame, puis retirez l'outil. Réalignez l'outil sur une nouvelle ligne de coupe, puis poursuivez la coupe. Évitez de vous exposer aux copeaux et sciures de bois éjectés par la scie. Portez des lunettes de protection pour réduire les risques de blessure.

## Garde parallèle (règle de guidage) (accessoire) (Fig. 18)

Le garde parallèle est pratique pour effectuer des coupes droites avec une très grande précision. Faites simplement glisser le garde parallèle le long du bord de la pièce en le gardant en position à l'aide de la vis de serrage qui se trouve à l'avant du socle. Cela permet également d'effectuer plusieurs coupes d'une largeur uniforme.

## MAINTENANCE

### ATTENTION :

- Assurez-vous toujours que l'outil est éteint et débranché avant d'effectuer tout travail d'inspection ou de maintenance.

- N'utilisez jamais d'essence, de benzine, de diluant, d'alcool ou de produit similaire. Ces produits risquent de provoquer des décolorations, des déformations ou des fissures.

## Réglage de la précision d'une coupe à 90° (coupe verticale)

Ce réglage est effectué en usine. S'il est désactivé, réajustez la vis de réglage au moyen d'une clé hexagonale, en vous assurant que la lame est sur un angle de 90° par rapport à la base, avec une règle triangulaire, une équerre de menuisier, etc. (Fig. 19 et 20)

## Remplacement des charbons (Fig. 21)

Retirez et vérifiez les charbons régulièrement. Remplacez-les lorsqu'ils atteignent le repère d'usure. Gardez les charbons propres et assurez-vous qu'ils glissent librement dans les porte-charbons. Les deux charbons doivent être remplacés en même temps. Utilisez uniquement des charbons identiques. Retirez les bouchons de porte-charbon à l'aide d'un tournevis. Enlevez les charbons usés, insérez les neufs et remettez en place les bouchons de porte-charbon. (Fig. 22) Pour assurer la SÉCURITÉ et la FIABILITÉ du produit, toute réparation et tout travail d'entretien ou de réglage doivent être effectués par un Centre de service après-vente agréé Makita, avec des pièces de rechange Makita.

## ACCESSOIRES FOURNIS EN OPTION

### ⚠ ATTENTION :

- Ces accessoires ou pièces complémentaires sont recommandés pour être utilisés avec l'outil Makita spécifié dans ce mode d'emploi. L'utilisation de tout autre accessoire ou pièce complémentaire peut comporter un risque de blessure. N'utilisez les accessoires ou pièces qu'aux fins auxquelles ils ont été conçus.

Pour obtenir plus de détails sur ces accessoires, contactez votre Centre de service local Makita.

- Lames de scie en acier et carbure

Combinaison	Lame à utilisation générale pour des sciages en long rapides et simples, des tailles croisées et des onglets.
Bois traité sous pression / humide	Conçu pour une découpe rapide des bois traités sous pression ou humide.
Des tailles croisées de précision	Pour des découpes nettes contre le fil.

006549

- Garde parallèle (règle de guidage)
- Clé hexagonale
- Buse à poussières (joint)

### REMARQUE :

- Certains éléments de la liste peuvent être inclus en tant qu'accessoires standard dans le coffret de l'outil envoyé. Ils peuvent varier suivant les pays.

**Bruit** ENG905-1

Les niveaux de bruit pondéré A typiques ont été mesurés selon la norme EN60745 :

Niveau de pression sonore ( $L_{pA}$ ) : 89 dB (A)

Niveau de puissance sonore ( $L_{WA}$ ) : 100 dB (A)

Incertitude (K) : 3 dB (A)

**Portez des protections auditives.**

**Vibration** ENG900-1

La valeur totale de vibration (somme du vecteur triaxial) déterminée selon EN60745 :

Mode de fonctionnement : coupe de bois

Emission des vibrations ( $a_{h,W}$ ) : 3,0 m/s<sup>2</sup>

Incertitude (K) : 1,5 m/s<sup>2</sup>

ENG901-1

- La valeur de l'émission des vibrations déclarée a été mesurée conformément à la méthode de test standard et peut être utilisée afin de comparer des outils entre eux.
- La valeur de l'émission des vibrations déclarée peut également être utilisée lors d'une évaluation préliminaire de l'exposition.

### ⚠ AVERTISSEMENT :

- Selon la manière dont l'outil est utilisé, il est possible que l'émission des vibrations pendant l'utilisation réelle de l'outil électrique diffère de la valeur de l'émission déclarée.
- Veillez à identifier les mesures de sécurité destinées à protéger l'opérateur et établies en fonction de l'estimation de l'exposition dans les conditions réelles d'utilisation (en prenant en compte toutes les étapes du cycle de fonctionnement, telles que les périodes de mise hors tension de l'outil, les périodes de fonctionnement au ralenti et les périodes de mise en route).

**Pour les pays d'Europe uniquement** ENH101-16

### Déclaration de conformité CE

**Nous, Makita Corporation, en tant que fabricant responsable, déclarons que les machines Makita suivantes :**

Nom de la machine : Scie circulaire

N° de modèle/Type : 5008MG

sont fabriquées en série et

**son conformes aux directives européennes suivantes :**

2006/42/CE

et sont produites conformément aux normes ou documents de normalisation suivants :

EN60745

La documentation technique est disponible auprès de :

Makita International Europe Ltd.

Technical Department,

Michigan Drive, Tongwell,

Milton Keynes, Bucks MK15 8JD, Angleterre

30. 1. 2009



Tomoyasu Kato  
Directeur

Makita Corporation  
3-11-8, Sumiyoshi-cho,  
Anjo, Aichi, 446-8502, JAPAN

# DEUTSCH (Originalanweisungen)

## Erklärung der Gesamtdarstellung

- |                         |                        |                                       |
|-------------------------|------------------------|---------------------------------------|
| 1. Tiefenführung        | 9. Vorsprung           | 17. Hinterer Griff                    |
| 2. Hebel                | 10. Spindelarretierung | 18. Vorderer Griff                    |
| 3. Feststopper          | 11. Sägeblatt          | 19. Parallelenschlag (Führungslineal) |
| 4. Pfeil an Feststopper | 12. Sechskantschraube  | 20. Spannungsschraube                 |
| 5. Gleitschuh           | 13. Außenflansch       | 21. Einstelldreieck                   |
| 6. Ein/Aus-Schalter     | 14. Innenflansch       | 22. Grenzmarkierung                   |
| 7. Lampe                | 15. Ring               | 23. Bürstenhalterkappe                |
| 8. Inbusschlüssel       | 16. Staubsauger        | 24. Schraubendreher                   |

## TECHNISCHE ANGABEN

Modell		5008MG
Sägeblattdurchmesser		210 mm
Max. Schnitttiefe	90°	75,5 mm
	45°	57 mm
	50°	51,5 mm
Leerlaufgeschwindigkeit (min <sup>-1</sup> )		5.200
Gesamtlänge		332 mm
Nettogewicht		5,1 kg
Sicherheitsklasse		□/II

- Aufgrund unserer beständigen Forschungen und Weiterentwicklungen sind Änderungen an den hier angegebenen Technischen Daten ohne Vorankündigung vorbehalten.
- Die Technischen Daten können in den einzelnen Ländern voneinander abweichen.
- Gewicht entsprechend EPTA-Verfahren 01/2003

**Verwendungszweck** ENE028-1  
Das Werkzeug eignet sich für Längs- und Querschnitte sowie Gehrungsschnitte mit Winkeln in Holz bei engem Kontakt mit dem Werkstück.

**Stromversorgung** ENF002-2  
Das Werkzeug darf nur an eine Stromversorgung mit Einphasen-Wechselstrom mit der auf dem Typenschild angegebenen Spannung angeschlossen werden. Das Werkzeug verfügt über ein doppelt isoliertes Gehäuse und kann daher auch an einer Stromversorgung ohne Schutzkontakt betrieben werden.

**Für öffentliche Niederspannungs-Versorgungssysteme mit einer Spannung zwischen 220 V und 250 V.** ENF100-1

Schaltvorgänge von Elektrogeräten verursachen Spannungsschwankungen. Der Betrieb dieses Geräts unter ungünstigen Netzstrombedingungen kann sich nachteilig auf den Betrieb anderer Geräte auswirken. Bei einer Netzstromimpedanz von 0,37 Ohm oder weniger ist anzunehmen, dass keine negativen Effekte auftreten. Die für dieses Gerät verwendete Netzsteckdose muss durch eine Sicherung oder einen Schutzschalter mit trägen Auslöseeigenschaften geschützt sein.

## Allgemeine Sicherheitshinweise für Elektrowerkzeuge

GEA010-1

**⚠️ WARNUNG Lesen Sie alle Sicherheitshinweise und Anweisungen sorgfältig durch.** Wenn die Hinweise und Anweisungen nicht beachtet werden, besteht die Gefahr eines Stromschlags, Brands und/oder das Risiko von ernsthaften Verletzungen.

**Bewahren Sie alle Hinweise und Anweisungen zur späteren Referenz gut auf.**

## SICHERHEITSHINWEISE ZUR KREISSÄGE

GEB013-6

### Schneidverfahren

1. **⚠️ GEFAHR: Halten Sie Ihre Hände vom Schnittbereich und vom Sägeblatt fern. Halten Sie Ihre andere Hand auf dem Zusatzgriff oder dem Motorgehäuse.** Nur mit beiden Händen an der Säge können Sie Schnittverletzungen durch das Sägeblatt vermeiden.
2. **Fassen Sie niemals unter das Werkstück.** Die Schutzvorrichtung bietet keinen Schutz vor dem Sägeblatt unter dem Werkstück.
3. **Passen Sie die Schnitttiefe an die Dicke des Werkstücks an.** Es sollte weniger als ein kompletter Sägezahn des Sägeblatts unter dem Werkstück sichtbar sein.
4. **Halten Sie das zu schneidende Werkstück niemals in Ihren Händen oder über Ihrem Bein. Sichern Sie das Werkstück auf einer stabilen Unterlage.** Es ist wichtig, dass Sie das Werkstück ordnungsgemäß abstützen, um Verletzungen, ein Verkanten des Sägeblatts oder den Verlust der Kontrolle zu vermeiden.

**Typische Abbildung einer richtigen Handhaltung, Werkstückabstützung und Kabelführung (falls relevant). (Abb. 1)**

5. **Halten Sie das Elektrowerkzeug an den isolierten Griffflächen, wenn Sie unter Bedingungen arbeiten, bei denen das Schneidwerkzeug nicht sichtbare Stromkabel oder das eigene Kabel berühren kann.** Bei Kontakt mit einem stromführenden Kabel wird der Strom an die Metallteile des Elektrowerkzeugs und dadurch an den Bediener weitergeleitet, und der Bediener erleidet einen Stromschlag.
6. **Verwenden Sie bei Längsschnitten immer einen Parallelenschlag oder eine Führungsschiene.** Dies verbessert den Präzisionsschnitt und verringert die Gefahr des Verkantens des Sägeblatts.
7. **Verwenden Sie stets Sägeblätter in der richtigen Größe und Form (Diamant statt Kreis) des Holzdurchmessers.** Sägeblätter, die nicht den Montageteilen der Säge entsprechen, laufen mit Unwucht und führen zum Verlust der Kontrolle.
8. **Verwenden Sie niemals defekte oder vom Original abweichende Sägeblatt-Befestigungsscheiben oder -schrauben.** Die Befestigungsscheiben und -schrauben wurden eigens für diese Säge entwickelt, um einen Betrieb mit optimaler Leistung und Sicherheit zu gewährleisten.

#### **Rückschlagursachen und entsprechende Warnhinweise**

- Ein Rückschlag entsteht als plötzliche Reaktion auf ein eingeklemmtes, fest sitzendes oder falsch ausgerichtetes Sägeblatt und führt zum unkontrollierten Springen der Säge aus dem Werkstück in Richtung Bediener.
- Wenn sich das Sägeblatt verklemmt oder durch die sich nach unten verengende Sägefuge fest erfasst wird, stoppt das Sägeblatt plötzlich, und die Motorkraft lässt die Säge schnell in Richtung des Bedieners springen.
- Wenn sich das Sägeblatt im Schnitt verdreht oder verschiebt, können die Zähne an der hinteren Kante des Sägeblatts in die Oberfläche des Holzes eingreifen, und dies kann dazu führen, dass das Sägeblatt aus der Sägefuge tritt und zurück in Richtung des Bedieners springt.

Rückschläge werden durch eine falsche Handhabung der Säge und/oder unsachgemäßes Vorgehen oder unsachgemäße Arbeitsbedingungen verursacht und können durch die im Folgenden aufgeführten Maßnahmen vermieden werden.

9. **Halten Sie die Säge stets mit beiden Händen gut fest und legen Sie Ihre Arme so an, dass Sie Rückschläge abfangen können. Stellen Sie sich seitlich zum Sägeblatt hin, niemals in einer Linie mit dem Sägeblatt.** Bei einem Rückschlag kann die Säge plötzlich nach hinten springen. Derartige Rückschlagkräfte können jedoch durch geeignete Maßnahmen des Bedieners beherrscht werden.
10. **Wenn sich das Sägeblatt verkantet oder wenn Sie den Sägevorgang aus irgendeinem Grund unterbrechen, lassen Sie den Auslöser los, und halten Sie die Säge bis zum kompletten Stillstand des Sägeblatts im Material, ohne die Säge dabei zu bewegen. Versuchen Sie niemals, bei laufendem Sägeblatt die Säge aus dem Werkstück zu entfernen oder sie nach hinten herauszuziehen, da dies zu einem Rückschlag führen kann.**

- Überprüfen Sie die Ursache für das Verkanten des Sägeblatts und ergreifen Sie Korrekturmaßnahmen.
11. **Wenn Sie eine sich im Schnitt befindende Säge wieder einschalten, halten Sie das Sägeblatt mittig in der Sägefuge und achten Sie darauf, dass die Sägezähne nicht in das Material greifen.** Falls das Sägeblatt verkantet ist, kann es beim Wiedereinschalten der Säge hochspringen oder vom Werkstück zurückschlagen.
  12. **Große Werkstücke müssen abgestützt werden, um die Gefahr eines eingeklemmten Sägeblatts oder eines Rückschlags zu vermeiden.** Große Werkstücke neigen dazu, sich unter ihrem Eigengewicht durchzubiegen. Unter dem Werkstück sind nahe der Schnittlinie und nahe den Werkstückkanten beidseitig Stützen zu platzieren. **Zum Vermeiden eines Rückschlags stützen Sie das Brett oder das Werkstück nahe der Schnittstelle ab. (Abb. 2)** **Stützen Sie das Brett oder Werkstück nicht zu weit von der Schnittstelle ab. (Abb. 3)**

13. **Verwenden Sie keine stumpfen oder beschädigten Sägeblätter.** Stumpfe oder falsch eingesetzte Sägeblätter führen zu einer sehr engen Schnittfuge, die eine hohe Reibung, ein Verkanten des Sägeblatts und einen Rückschlag zur Folge haben kann.
14. **Stellen Sie vor Arbeitsbeginn sicher, dass die Feststellhebel für die Blatattiefe und die Gehrungseinstellung fest angezogen sind.** Wenn sich die Einstellung des Sägeblatts beim Sägen verschiebt, kann dies zum Verkanten oder zu einem Rückschlag des Sägeblatts führen.
15. **Seien Sie besonders vorsichtig, wenn Sie einen Schnitt in Wänden oder anderen abgeschirmten Bereichen ausführen.** Das vordringende Sägeblatt schneidet möglicherweise in Gegenstände, die einen Rückschlag verursachen können.
16. **Halten Sie das Werkzeug STETS mit beiden Händen gut fest. Halten Sie NIEMALS Ihre Hand oder Ihre Finger hinter der Säge.** Im Fall eines Rückschlags kann unter Umständen die Säge über Ihre Hand zurückspringen und schwere Verletzungen verursachen. **(Abb. 4)**
17. **Wenden Sie beim Sägen niemals zu viel Kraft an. Schieben Sie die Säge mit einer Geschwindigkeit vor, die es ermöglicht, dass das Sägeblatt mit konstanter Geschwindigkeit sägt.** Ein zu starkes Drücken der Säge kann zu unebenen Schnitten, zu Ungenauigkeiten und möglicherweise zu Rückschlägen führen.

#### **Funktion der beweglichen Schutzhaube**

18. **Prüfen Sie vor jeder Inbetriebnahme, dass die bewegliche Schutzhaube korrekt schließt. Verwenden Sie die Säge niemals, wenn sich die Schutzhaube nicht ungehindert bewegt und unverzüglich schließt. Die bewegliche Schutzhaube darf niemals in der geöffneten Stellung festgeklemmt oder festgebunden werden.** Wenn Sie die Säge versehentlich fallen lassen, kann sich die bewegliche Schutzhaube verbiegen. Ziehen Sie zum Öffnen der beweglichen Schutzhaube den Hebel nach hinten und stellen Sie sicher, dass die Haube frei beweglich ist und bei allen Schnittwinkeln



und Schnitttiefen weder das Sägeblatt noch irgendein anderes Teil berührt.

19. **Überprüfen Sie die Feder für die bewegliche Schutzhaube auf Funktionstüchtigkeit. Wenn Schutzhaube und/oder Feder nicht ordnungsgemäß funktionieren, müssen diese vor der Inbetriebnahme repariert werden.** Die bewegliche Schutzhaube kann aufgrund von beschädigten Teilen, Gummirückständen oder Ablagerungen unter Umständen in ihrer Funktionsweise beeinträchtigt sein.
  20. **Die bewegliche Schutzhaube darf nur für spezielle Schnitte wie z. B. „Tauschschnitt“ und „Kombinationsschnitt“ von Hand zurückgeschoben werden. Ziehen Sie zum Öffnen der beweglichen Schutzhaube den Hebel, und lassen Sie die Schutzhaube los, sobald das Sägeblatt in das Material eindringt.** Für alle anderen Sägearbeiten muss die bewegliche Schutzhaube automatisch betätigt werden.
  21. **Achten Sie stets darauf, dass die bewegliche Schutzhaube das Sägeblatt abdeckt, bevor Sie die Säge auf die Werkbank oder den Boden legen.** Ein ungeschütztes, noch nachlaufendes Sägeblatt führt dazu, dass die Säge nach hinten läuft und dabei alles schneidet, was ihr im Weg steht. Beachten Sie, dass das Sägeblatt nach dem Loslassen des Schalters einige Zeit nachläuft, bevor es zum Stillstand kommt.
  22. **Für die Funktionsprüfung der beweglichen Schutzhaube öffnen Sie diese von Hand, lassen Sie sie los und beobachten Sie das Schließverhalten. Stellen Sie auch sicher, dass der zurückschiebbare Griff das Werkzeuggehäuse nicht berührt.** Ein frei liegendes Sägeblatt ist SEHR GEFÄHRLICH und kann zu schweren Verletzungen führen.
- Zusätzliche Sicherheitshinweise**
23. **Gehen Sie beim Sägen von feuchtem Holz, unter Spannung stehendem Bruchholz oder Holz, das Astknoten enthält, besonders vorsichtig vor.** Stellen Sie die Schnittgeschwindigkeit so ein, dass ein gleichbleibender Vorschub des Werkzeugs ohne eine Verringerung der Geschwindigkeit möglich ist.
  24. **Versuchen Sie niemals, abgesägtes Material zu entfernen, während das Sägeblatt läuft. Warten Sie bis zum Stillstand des Sägeblatts, bevor Sie das abgesägte Material entfernen.** Das Sägeblatt läuft nach dem Ausschalten nach.
  25. **Vermeiden Sie es, in Nägel zu schneiden. Untersuchen Sie das Werkstück auf Nägel und entfernen Sie diese ggf. vor Arbeitsbeginn.**
  26. **Setzen Sie das Werkzeug mit der großen Auflagefläche des Gleitschuhs auf den Teil des Werkstücks, der fest abgestützt wird, und nicht auf das abzuschneidende Material. Als Beispiele zeigen Abb. 5 die RICHTIGE und Abb. 6 die FALSCHER Methode für das Absägen des Brettendes. Wenn das Werkstück zu kurz oder zu klein ist, spannen Sie es ein. VERSUCHEN SIE NIEMALS, KURZE WERKSTÜCKE MIT DER HAND ZU HALTEN!**
  27. **Warten Sie nach dem Bearbeitungsvorgang auf den Stillstand des Sägeblatts, überprüfen Sie die**

**Schutzhaube auf geschlossene Stellung und setzen Sie das Werkzeug erst danach ab.**

28. **Versuchen Sie niemals, die Kreissäge nach unten gerichtet in einen Schraubstock zu spannen. Dies ist äußerst gefährlich und kann zu schweren Unfällen führen. (Abb. 7)**
29. **Einige Materialien enthalten Chemikalien, die giftig sein können. Vermeiden Sie das Einatmen von Staub und den Hautkontakt mit diesen Materialien. Befolgen Sie die Sicherheitshinweise des Materialherstellers.**
30. **Bremsen Sie die Maschine nicht durch seitlichen Druck auf das Sägeblatt ab.**
31. **Verwenden Sie stets die in diesem Handbuch empfohlenen Sägeblätter. Verwenden Sie keine Schleifscheiben.**
32. **Halten Sie das Sägeblatt scharf und sauber.** Angetrocknete Harz- und Holzreste auf dem Sägeblatt vermindern die Drehzahl der Säge und erhöhen die Gefahr von Rückschlägen. Halten Sie das Sägeblatt sauber, indem Sie es aus dem Werkzeug ausbauen und mit einem Harz- und Teerentferner, heißem Wasser oder Waschpetroleum reinigen. Verwenden Sie niemals Benzin.
33. **Tragen Sie bei der Arbeit eine Staubmaske und Gehörschutz.**

## **BEWAHREN SIE DIESE ANLEITUNG SORGFÄLTIG AUF.**

### **⚠️ WARNUNG:**

Lassen Sie sich **NIE** durch Bequemlichkeit oder (aus fortwährendem Gebrauch gewonnener) Vertrautheit mit dem Werkzeug dazu verleiten, die Sicherheitsregeln für das Werkzeug zu missachten. Bei **MISSBRÄUCLICHER** Verwendung des Werkzeugs oder Missachtung der in diesem Handbuch enthaltenen Sicherheitshinweise kann es zu schweren Verletzungen kommen.

## **FUNKTIONSBESCHREIBUNG**

### **ACHTUNG:**

- Schalten Sie das Werkzeug stets aus, und ziehen Sie den Stecker, bevor Sie Einstellungen oder eine Funktionsprüfung des Werkzeugs vornehmen.

### **Einstellung der Schnitttiefe (Abb. 8)**

#### **ACHTUNG:**

- Ziehen Sie den Hebel nach der Einstellung der Schnitttiefe stets fest an.

Lockern Sie den Hebel an der Tiefenführung, und bewegen Sie den Gleitschuh nach oben oder unten. Arretieren Sie den Gleitschuh an der gewünschten Schnitttiefe durch Festziehen des Hebels. Für einen sauberen und sicheren Schnitt setzen Sie die Schnitttiefe so, dass nur maximal ein Sägeblattzahn unter dem Werkstück herausragt. Die Verwendung der richtigen Schnitttiefe minimiert die Gefahr von RÜCKSCHLÄGEN, die zu Verletzungen führen können.

## Gehrungsschnitt (Abb. 9)

### Feststopper

Drehen Sie den Feststopper so, dass der Pfeil darauf auf eine der drei Positionen zeigt (22,5°, 45°, 50°). Neigen Sie anschließend den Werkzeuggleitschuh bis zum Anschlag, und sichern Sie den Gleitschuh mit dem Hebel. Der Winkel entspricht jetzt dem durch den Pfeil angezeigten Winkel.

### Festlegen des Gehrungswinkels

Lockern Sie den Hebel, und stellen Sie den Werkzeuggleitschuh vorsichtig auf den Gehrungswinkel 0°. Ziehen Sie den Hebel anschließend fest an. Drehen Sie den Feststopper so, dass der Pfeil darauf auf eine der drei Positionen zeigt (22,5°, 45°, 50°), die mindestens den Wert des gewünschten Gehrungswinkels hat. Lockern Sie den Hebel erneut, neigen Sie den Werkzeuggleitschuh, und sichern Sie ihn sorgfältig im gewünschten Winkel.

### HINWEIS:

- Die Position des Feststoppers kann geändert werden, indem Sie den Hebel lockern und den Gehrungswinkel auf einen Wert unterhalb des gewünschten Stopperpositionswerts neigen.
- Wenn der Pfeil am Feststopper auf 22,5 zeigt, kann ein Gehrungswinkel von 0 - 22,5° eingestellt werden; wenn der Pfeil auf 45 zeigt, kann der Winkel 0 - 45° eingestellt werden; wenn der Pfeil auf 50 zeigt, kann der Winkel 0 - 50° eingestellt werden.

## Schnittlinie (Abb. 10)

Für Geradschnitte richten Sie die Position A an der Vorderseite des Gleitschuhs auf Ihre Schnittlinie aus. Für 45°-Gehrungsschnitte richten Sie die Position B an der Vorderseite des Gleitschuhs auf Ihre Schnittlinie aus.

## Bedienung des Schalters (Abb. 11)

### ACHTUNG:

- Achten Sie vor dem Einstecken des Werkzeug-Netzsteckers darauf, dass sich der Ein/Aus-Schalter korrekt bedienen lässt und beim Loslassen in die Position „OFF“ (AUS) zurückkehrt.

Betätigen Sie zum Starten des Werkzeugs einfach den Ein/Aus-Schalter. Lassen Sie zum Ausschalten des Werkzeugs den Ein/Aus-Schalter los.

## Einschalten der Lampe (Abb. 12)

### ACHTUNG:

- Die Lampe darf keinen Erschütterungen ausgesetzt werden, da sie andernfalls beschädigt oder ihre Lebensdauer verkürzt werden kann.
- Schauen Sie nicht direkt in das Licht oder in die Lichtquelle.

Die Lampe leuchtet auf, sobald das Werkzeug eingesteckt wird. Sie leuchtet, bis das Werkzeug wieder ausgesteckt wird.

Wenn die Lampe nicht aufleuchtet, können das Stromkabel oder die Lampe defekt sein. Wenn die Lampe leuchtet und das Werkzeug nicht startet, obwohl es eingeschaltet wird, können die Kohlebürsten verbraucht sein, oder der Motor oder ON/OFF-Schalter ist defekt.

### HINWEIS:

- Wischen Sie Schmutz auf der Lampenlinse mit einem trockenen Tuch ab. Achten Sie darauf, die

Lampenlinse nicht zu zerkratzen, da dies die Beleuchtungsstärke mindern kann.

## MONTAGE

### ACHTUNG:

- Schalten Sie das Werkzeug stets aus, und ziehen Sie den Stecker, bevor Sie irgendwelche Arbeiten am Werkzeug durchführen.

## Aufbewahrung des Inbusschlüssels

### (Abb. 13)

Der Inbusschlüssel wird am Werkzeug aufbewahrt. Wenn Sie den Inbusschlüssel entnehmen möchten, drehen Sie ihn zu sich her, und ziehen Sie ihn heraus.

Setzen Sie den Inbusschlüssel zu seiner Anbringung auf den Griff, und drehen Sie ihn, bis er den Vorsprung am Griff berührt.

## Montage und Demontage des Sägeblatts

### (Abb. 14)

### ACHTUNG:

- Montieren Sie das Sägeblatt so, dass seine Zähne an der Vorderseite der Maschine nach oben zeigen.
- Verwenden Sie nur den mitgelieferten Makita-Inbusschlüssel zum Demontieren oder Montieren des Sägeblatts.

Zur Demontage des Sägeblatts drücken Sie die Spindelarretierung, um ein Drehen des Sägeblatts zu verhindern, und lösen Sie die Sechskantschraube durch Linksdrehung des Inbusschlüssels. Nehmen Sie dann Sechskantschraube, Außenflansch und Sägeblatt ab. Zum Montieren des Sägeblatts befolgen Sie die Einbauprozedur rückwärts. ZIEHEN SIE DIE SECHSKANTSCHRAUBE IM UHRZEIGERSINN FEST AN. (Abb. 15)

Vergessen Sie beim Austausch des Sägeblatts nicht, das angefallene Sägemehl vom oberen und unteren Blattschutz zu entfernen. Dies ersetzt jedoch nicht die Überprüfung der Funktion der beweglichen Schutzhaube vor jeder Inbetriebnahme.

## Anschließen eines Staubsaugers

### (Abb. 16)

Um größere Sauberkeit bei der Arbeit zu erzielen, schließen Sie einen Makita-Staubsauger an Ihr Werkzeug an. Montieren Sie den Absaugstutzen mit den Schrauben an der Maschine. Schließen Sie dann den Schlauch eines Staubsaugers an den Stutzen wie in der Abbildung dargestellt an.

## BETRIEB

### ACHTUNG:

- Schieben Sie das Werkzeug beim Schneiden stets sachte vor. Übermäßige Druckausübung oder Verdrehen des Werkzeugs bewirken eine Überhitzung des Motors und gefährliche Rückschläge, die möglicherweise zu schweren Verletzungen führen können. (Abb. 17)

Verwenden Sie stets einen vorderen und hinteren Griff, und halten Sie während der Arbeit das Werkzeug am vorderen und hinteren Griff gut fest. Das Werkzeug

verfügt sowohl über einen vorderen als auch einen hinteren Griff. Wenn Sie die Säge mit beiden Händen festhalten, vermeiden Sie Verletzungen durch das Sägeblatt. Setzen Sie den Gleitschuh auf das zu schneidende Werkstück auf, ohne dass das Sägeblatt mit ihm in Berührung kommt. Schalten Sie anschließend das Werkzeug ein, und warten Sie, bis das Sägeblatt die volle Drehzahl erreicht hat. Schieben Sie nun das Werkzeug flach und gleichmäßig über die Oberfläche des Werkstücks vor, bis der Schnitt vollendet ist. Um saubere Schnitte zu erzielen, halten Sie eine gerade Schnittlinie und eine gleichmäßige Vorschubgeschwindigkeit ein. Wenn der Schnitt nicht genau Ihrer beabsichtigten Schnittlinie folgt, versuchen Sie nicht, das Werkzeug zurück zur Schnittlinie zu drehen oder mit Gewalt zu schieben. Dies kann zum Einklemmen des Sägeblatts führen und somit zu einem gefährlichen Rückschlag und möglicherweise zu schweren Verletzungen. Betätigen Sie den Schalter, warten Sie auf den Stillstand des Sägeblatts, und ziehen Sie dann das Werkzeug zurück. Setzen Sie das Werkzeug an der neuen Schnittlinie an, und starten Sie den Sägevorgang erneut. Versuchen Sie dabei, Positionen zu vermeiden, in denen der Bediener den entstehenden Sägespänen und -staub ausgesetzt ist. Tragen Sie eine Schutzbrille, um Verletzungen zu vermeiden.

## Parallelanschlag (Führungslinal) (Zubehör) (Abb. 18)

Der praktische Parallelanschlag ermöglicht die Ausführung besonders genauer Geradschnitte. Schieben Sie den Parallelanschlag einfach satt anliegend gegen die Werkstückkante, und sichern Sie ihn mit der Feststellschraube an der Vorderseite des Gleitschuhs. Wiederholte Schnitte auf gleiche Breite sind ebenfalls möglich.

## WARTUNG

### ACHTUNG:

- Schalten Sie das Werkzeug stets aus, und ziehen Sie den Stecker, bevor Sie Prüfungen oder Wartungsarbeiten am Werkzeug durchführen.
- Verwenden Sie zum Reinigen niemals Kraftstoffe, Benzin, Verdünner, Alkohol oder ähnliches. Dies kann zu Verfärbungen, Verformungen oder Rissen führen.

## Einstellung der Genauigkeit von 90°-Schnitten (Vertikalschnitt)

Diese Einstellung wurde werkseitig vorgenommen. Sollte sie verstellt sein, muss die Einstellschraube mit einem Inbusschlüssel nachjustiert werden, während das Sägeblatt mithilfe eines Einstelldreiecks, Anschlagwinkels usw. in einen rechten Winkel zum Gleitschuh gebracht wird. (Abb. 19 und 20)

## Ersetzen der Kohlebürsten (Abb. 21)

Entfernen und überprüfen Sie die Kohlebürsten in regelmäßigen Abständen. Ersetzen Sie diese, wenn sie bis zur Verschleißgrenze abgenutzt sind. Halten Sie die Kohlebürsten sauber, und sorgen Sie dafür, dass sie locker in den Halterungen liegen. Beide Kohlebürsten sollten gleichzeitig ersetzt werden.

Verwenden Sie nur identische Kohlebürsten. Verwenden Sie einen Schraubendreher, um die Bürstenhalterkappen zu entfernen. Entnehmen Sie die verbrauchten Kohlebürsten, legen Sie die neuen ein, und bringen Sie die Bürstenhalterkappen wieder fest an. (Abb. 22) Um die SICHERHEIT und ZUVERLÄSSIGKEIT des Produkts zu gewährleisten, sollten Reparaturen, Wartungsarbeiten und Einstellungen nur durch von Makita autorisierte Servicecenter durchgeführt und immer Makita-Ersatzteile verwendet werden.

## SONDERZUBEHÖR

### ⚠️ ACHTUNG:

- Für das in diesem Handbuch beschriebene Makita-Gerät werden die folgenden Zubehör- und Zusatzteile empfohlen. Bei Verwendung anderer Zubehör- und Zusatzteile kann es zu Verletzungen kommen. Verwenden Sie Zubehör- und Zusatzteile nur für den vorgesehenen Zweck. Informationen zu diesem Zubehör erhalten Sie von Ihrem Makita-Servicecenter.
- Sägeblätter mit Stahl- und Hartmetallspitzen

Kombination	Allzweckblatt für schnelle und glatte Längsschnitte, Querschnitte und Gehrungsschnitte.
Druckbehandeltes/ Feuchtes Bauholz	Entwickelt für Schnellschnitte von druckbehandeltem und feuchtem Bauholz.
Feine Querschnitte	Für saubere, ablagerungsfreie Schnitte gegen die Faser.

006549

- Parallelanschlag (Führungslinal)
- Inbusschlüssel
- Staubdüse (Stutzen)

### HINWEIS:

- Einige der in der Liste aufgeführten Elemente sind dem Werkzeugpaket als Standardzubehör beigelegt. Diese können in den einzelnen Ländern voneinander abweichen.

### Schallpegel

ENG905-1

Typischer A-bewerteter Schallpegel nach EN60745:

- Schalldruckpegel ( $L_{pA}$ ): 89 dB (A)
- Schallleistungspegel ( $L_{WA}$ ): 100 dB (A)
- Abweichung (K): 3 dB (A)

**Tragen Sie Gehörschutz.**

### Schwingung

ENG900-1

Schwingungsgesamtwerte (Vektorsumme dreier Achsen) nach EN60745:

- Arbeitsmodus: Schneiden von Holz
- Schwingungsbelastung ( $a_{h,w}$ ): 3,0 m/s<sup>2</sup>
- Abweichung (K): 1,5 m/s<sup>2</sup>

ENG901-1

- Der hier angegebene Wert für die erzeugten Schwingungen wurde gemäß dem genormten Testverfahren ermittelt und kann als Vergleich zu anderen Werkzeugen herangezogen werden.
- Der angegebene Wert für die erzeugten Schwingungen ist außerdem für eine vorbeugende Bewertung der Belastung zu verwenden.

**⚠️ WARNUNG:**

- Die Schwingungsbelastung kann bei tatsächlichem Gebrauch des Elektrowerkzeugs in Abhängigkeit von der Handhabung des Elektrowerkzeugs von dem hier aufgeführten Wert abweichen.
- Stellen Sie sicher, dass Schutzmaßnahmen für den Bediener getroffen werden, die auf den unter den tatsächlichen Arbeitsbedingungen zu erwartenden Belastungen beruhen (beziehen Sie alle Bestandteile des Arbeitsablaufs ein, also zusätzlich zu den Arbeitszeiten auch Zeiten, in denen das Werkzeug ausgeschaltet ist oder ohne Last läuft).

**Nur für europäische Länder**

ENH101-16

**EG-Konformitätserklärung**

**Wir, Makita Corporation als verantwortlicher Hersteller, erklären, dass die folgenden Geräte der Marke Makita:**

Bezeichnung für die Geräte: Kreissäge

Nummer / Typ der Modelle: 5008MG

in Serienfertigung hergestellt werden und

**den folgenden Richtlinien der Europäischen Union genügen:**

2006/42/EG

Außerdem werden die Geräte gemäß den folgenden Standards oder Normen gefertigt:

EN60745

Die technische Dokumentation erfolgt durch:

Makita International Europe Ltd.

Technical Department,

Michigan Drive, Tongwell,

Milton Keynes, Bucks MK15 8JD, England

30. 1. 2009



Tomoyasu Kato

Direktor

Makita Corporation

3-11-8, Sumiyoshi-cho,

Anjo, Aichi, 446-8502, JAPAN

## ITALIANO (Istruzioni originali)

### Spiegazione della vista generale

- |                               |                        |                                       |
|-------------------------------|------------------------|---------------------------------------|
| 1. Guida di profondità        | 9. Sporgenza           | 17. Impugnatura posteriore            |
| 2. Leva                       | 10. Blocco dell'albero | 18. Impugnatura anteriore             |
| 3. Fermo positivo             | 11. Lama della sega    | 19. Guida di taglio (regolo guida)    |
| 4. Freccia sul fermo positivo | 12. Bullone esagonale  | 20. Vite di regolazione               |
| 5. Base                       | 13. Flangia esterna    | 21. Squadra triangolare               |
| 6. Interruttore               | 14. Flangia interna    | 22. Indicatore di limite              |
| 7. Spia                       | 15. Anello             | 23. Coperchio supporto della spazzola |
| 8. Chiave esagonale           | 16. Aspiratore         | 24. Cacciavite                        |

## CARATTERISTICHE TECNICHE

Modello	5008MG	
Diámetro lama	210 mm	
Profondità massima di taglio	a 90°	75,5 mm
	a 45°	57 mm
	a 50°	51,5 mm
Velocità a vuoto (min <sup>-1</sup> )	5.200	
Lunghezza totale	332 mm	
Peso netto	5,1 kg	
Classe di sicurezza	□/II	

- Le caratteristiche tecniche riportate di seguito sono soggette a modifiche senza preavviso in virtù del nostro programma continuo di ricerca e sviluppo.
- Le caratteristiche tecniche possono differire da paese a paese.
- Peso determinato in conformità con la EPTA-Procedure 01/2003

### Uso previsto

ENE028-1

L'utensile è progettato per l'esecuzione di tagli in legno, sia dritti in senso longitudinale e trasversale che obliqui, mantenendo un saldo contatto con il pezzo in lavorazione.

### Alimentazione

ENF002-2

L'utensile deve essere collegato a una presa di corrente con la stessa tensione di quella indicata sulla targhetta e può funzionare soltanto con corrente alternata monofase. L'utensile è dotato di doppio isolamento, pertanto può essere usato anche con prese di corrente sprovviste della messa a terra.

### Per reti elettriche a bassa tensione tra 220 V e 250 V.

ENF100-1

L'accensione e lo spegnimento di apparecchiature elettriche provoca oscillazioni della tensione. Il funzionamento del presente dispositivo in condizioni diverse da quelle consigliate può provocare interferenze nel funzionamento di altre apparecchiature. Non dovrebbero presentarsi problemi con un'impedenza di rete pari o inferiore a 0,37 Ohm. La presa di corrente a cui viene collegato il presente dispositivo deve essere protetta da un fusibile o interruttore di protezione avente un ritardo di scatto lento.

## Avvertenze generali di sicurezza per l'uso dell'utensile

GEA010-1

**⚠ AVVERTENZA** Leggere attentamente tutte le avvertenze di sicurezza e le istruzioni. La mancata osservanza delle istruzioni e delle avvertenze riportate di seguito potrebbe provocare scosse elettriche, incendi e/o lesioni gravi.

## Conservare le avvertenze e le istruzioni per riferimenti futuri.

## AVVERTENZE DI SICUREZZA PER LA SEGA CIRCOLARE

GEB013-6

### Procedure di taglio

1. **⚠ PERICOLO: mantenere le mani lontane dall'area di taglio e dalla lama. Posizionare la mano che non impugna l'utensile sulla maniglia ausiliaria o sull'alloggiamento del motore.** Se entrambe le mani vengono utilizzate per tenere la sega, non c'è il rischio che vengano colpite dalla lama.
2. **Non toccare il pezzo in lavorazione dalla parte inferiore.** Il coprilama non offre alcuna protezione al di sotto del pezzo in lavorazione.
3. **Regolare la profondità di taglio in base allo spessore del pezzo in lavorazione.** La lama deve sporgere al di sotto del pezzo in lavorazione per un tratto inferiore alla lunghezza di uno dei suoi denti.
4. **Non tenere mai il pezzo da tagliare tra le mani o sulle gambe. Fissare il pezzo in lavorazione a una superficie stabile.** Per la sicurezza personale è importante ridurre al minimo l'eventualità di contatto con il corpo, di blocco della lama o di perdita del controllo dell'utensile.

La figura illustra il corretto posizionamento delle mani, del pezzo in lavorazione e del cavo di alimentazione (se applicabile). (Fig. 1)

5. **Se vengono eseguite operazioni in cui l'utensile di taglio può entrare in contatto con fili nascosti o**

**con il cavo di alimentazione, impugnare l'utensile utilizzando solo i punti di presa isolati.** In caso di contatto con un filo percorso da corrente, le parti metalliche esposte dell'utensile si troveranno anch'esse sotto tensione e potrebbero provocare scosse elettriche all'operatore.

6. **Quando si eseguono tagli longitudinali, utilizzare sempre una guida di taglio.** In tal modo il taglio risulterà più accurato e il rischio di blocco della lama sarà ridotto.
7. **Utilizzare sempre lame con dimensioni e sagoma (romboidale o rotonda) dei fori dell'albero appropriate.** Le lame che non corrispondono alla sagoma o al supporto di montaggio della sega determinano una rotazione eccentrica e possono provocare la perdita del controllo dell'utensile.
8. **Non utilizzare rondelle o bulloni danneggiati o inappropriati per la lama.** Le rondelle e i bulloni forniti sono progettati appositamente per la sega e garantiscono prestazioni migliori e maggiore sicurezza.

#### **Cause dei contraccolpi e avvertenze correlate**

- Un contraccolpo è una reazione improvvisa dovuta a frizioni, ostacoli o disallineamenti della lama di taglio, che provoca il sollevamento improvviso della sega. Se non adeguatamente controllata, quest'ultima può allontanarsi dal pezzo in lavorazione proiettandosi in direzione dell'operatore.
- Quando è ostacolata o bloccata dalla chiusura delle due estremità del taglio, la lama entra in fase di stallo e la reazione del motore fa sì che la sega si muova rapidamente all'indietro verso l'operatore.
- Se la lama si incurva o si disallinea rispetto al taglio, i denti del bordo posteriore della lama colpiscono la superficie superiore del pezzo in lavorazione provocando la fuoriuscita della lama dal taglio e il movimento improvviso dell'utensile verso l'operatore.

I contraccolpi sono determinati dall'uso improprio della sega e/o da procedure o condizioni operative errate e possono essere evitati adottando le specifiche precauzioni illustrate di seguito.

9. **Mantenere una presa salda con entrambe le mani sull'utensile e posizionare le braccia in modo da poter contrastare efficacemente i contraccolpi. Posizionare il corpo a destra o a sinistra della lama, evitando di allinearli con la lama stessa.** I contraccolpi possono provocare uno spostamento improvviso dell'utensile all'indietro, ma possono essere controllati dall'operatore adottando precauzioni appropriate.
10. **Quando la lama è ostacolata o se si desidera interrompere il taglio per qualsiasi motivo, lasciare l'interruttore e attendere l'arresto completo della lama senza spostare la sega dal pezzo in lavorazione. Per evitare contraccolpi, non rimuovere la sega dal pezzo in lavorazione e non tirarla all'indietro mentre la lama è in movimento.** Esaminare le condizioni operative e attuare gli interventi necessari per eliminare le cause del blocco della lama.
11. **Quando si riavvia la sega con la lama inserita nel pezzo in lavorazione, centrare accuratamente la lama nel taglio e controllare che i denti non siano inseriti nel materiale.** Se la lama è bloccata o

ostacolata, il riavvio della sega può provocare l'improvviso innalzamento o un contraccolpo dell'utensile.

12. **Per ridurre il rischio di ostacolare la lama e per evitare contraccolpi, sostenere adeguatamente i pannelli di grandi dimensioni da tagliare.** I pannelli di grandi dimensioni tendono a flettersi sotto il loro stesso peso. Collocare i sostegni al di sotto del pannello su entrambi i lati, sia vicino alla linea di taglio che all'estremità del pannello.

**Per evitare contraccolpi, sostenere i pannelli vicino alla linea di taglio. (Fig. 2)**

**Non applicare i sostegni dei pannelli lontano dalla linea di taglio. (Fig. 3)**

13. **Non utilizzare lame non affilate o danneggiate.** Lame non affilate o in condizioni improprie producono tagli di spessore limitato e determinano il blocco della lama, una frizione eccessiva e pericolosi contraccolpi.
14. **Prima di eseguire il taglio, accertarsi di aver serrato accuratamente le leve di regolazione della profondità e dell'angolazione di taglio.** Se le leve di regolazione si muovono durante il taglio, la lama potrebbe bloccarsi e potrebbero verificarsi contraccolpi.
15. **Prestare particolare attenzione durante il taglio all'interno di pareti esistenti o altre zone cieche.** Avanzando, la parte sporgente della lama può colpire oggetti non visibili e determinare un contraccolpo.
16. **Tenere SEMPRE saldamente l'utensile con entrambe le mani. Non posizionare mai le mani o le dita dietro la sega.** In caso di contraccolpo, la sega potrebbe arretrare improvvisamente e colpire le mani, provocando gravi lesioni personali. (Fig. 4)
17. **Non forzare mai la sega. Spingere la sega in avanti a una velocità tale da consentire alla lama di eseguire il taglio senza subire rallentamenti.** Una spinta eccessiva sulla sega può comportare tagli non netti o inaccurati, nonché il verificarsi di contraccolpi.

#### **Funzione del coprilama**

18. **Prima di utilizzare la sega, assicurarsi che il coprilama sia posizionato correttamente. Non utilizzare la sega se il coprilama non è libero di muoversi e di chiudersi all'istante. Non bloccare il coprilama in posizione aperta.** In caso di caduta accidentale dell'utensile, il coprilama potrebbe deformarsi. Sollevare il coprilama con l'apposita maniglia e accertarsi che sia libero di muoversi e che non entri in contatto con la lama o altre parti dell'utensile, eseguendo prove con diverse angolazioni e profondità di taglio.
19. **Controllare il funzionamento della molla del coprilama. Se il coprilama e la molla non funzionano correttamente, prima di utilizzare la sega è necessario ripristinarne l'efficienza con gli opportuni interventi di manutenzione e/o riparazione.** Parti danneggiate e incrostazioni di resine, collanti o residui di lavorazione possono pregiudicare il corretto funzionamento del coprilama.
20. **Ritirare manualmente il coprilama solo se si devono eseguire tagli speciali come tagli "a immersione" o tagli "combinati".** Sollevare il coprilama utilizzando l'apposita maniglia e rilasciarlo subito dopo che la lama è entrata nel materiale. Per tutte le altre modalità di taglio, lasciare

che il coprilama svolga automaticamente le sue funzioni.

21. **Prima di collocare la sega sul banco o sul pavimento, accertarsi sempre che la lama sia protetta dal coprilama.** Se la lama non è protetta ed è in rotazione, la sega si sposterà all'indietro tagliando tutto ciò che incontra sul suo percorso. Prestare attenzione al tempo necessario per il completo arresto della lama dopo aver rilasciato l'interruttore.
22. **Per controllare il funzionamento del coprilama, aprirlo con le mani e quindi rilasciarlo osservando attentamente la modalità di chiusura. Verificare inoltre che la maniglia per ritrarre il coprilama non tocchi l'involucro dell'utensile.** Lasciare la lama scoperta è MOLTO PERICOLOSO e può determinare il rischio di gravi lesioni personali.

#### Avvertenze di sicurezza supplementari

23. **Prestare particolare attenzione qualora si eseguano tagli su legno umido, trattato a pressione o con nodi.** Far avanzare l'utensile in maniera uniforme, senza ridurre la velocità della lama, onde evitare il surriscaldamento delle punte della lama.
24. **Non rimuovere il materiale residuo della lavorazione se la lama è in movimento. Prima di rimuovere il materiale residuo della lavorazione, attendere che la lama si arresti completamente.** Le lame continuano a ruotare per inerzia dopo lo spegnimento dell'utensile.
25. **Evitare di tagliare chiodi. Prima di eseguire il taglio, esaminare attentamente il pezzo in lavorazione e rimuovere eventuali chiodi.**
26. **Collocare la superficie più ampia della base della sega sulla parte del pezzo in lavorazione che è saldamente appoggiata sui sostegni, non sulla parte destinata a cadere una volta eseguito il taglio.** A titolo di esempio, la Fig. 5 illustra il metodo di taglio corretto, mentre la Fig. 6 mostra quello scorretto. Se il pezzo in lavorazione è di dimensioni ridotte, bloccarlo in una morsa. **NON TENERE PEZZI DI PICCOLE DIMENSIONI CON LE MANI!**
27. **Prima di abbassare la sega dopo aver completato il taglio, accertarsi che il coprilama sia chiuso e che la lama si sia completamente arrestata.**
28. **Non utilizzare la sega circolare capovolgendola e bloccandola in una morsa. Si tratta di una modalità operativa estremamente pericolosa che può provocare incidenti di grave entità. (Fig. 7)**
29. **Alcuni materiali contengono prodotti chimici potenzialmente tossici. Prendere le adeguate precauzioni per evitare l'inalazione della polvere e il contatto con la pelle. Attenersi alle istruzioni per la sicurezza del fornitore dei materiali.**
30. **Non arrestare la lama applicando una pressione laterale sulla lama stessa.**
31. **Utilizzare esclusivamente le lame indicate nel presente manuale. Non utilizzare dischi abrasivi.**
32. **Mantenere le lame affilate e pulite.** Residui o incrostazioni di collanti e resina sulla lama possono rallentare il taglio aumentando le probabilità di contraccolpi. Per pulire la lama, rimuoverla dall'utensile ed eliminare le incrostazioni con un

solvente appropriato, acqua calda o kerosene. Non utilizzare benzina.

33. **Quando si utilizza lo strumento, indossare una protezione acustica e una maschera antipolvere.**

## CONSERVARE QUESTE ISTRUZIONI.



#### AVVERTENZA:

**NON lasciare che la familiarità acquisita con il prodotto (dovuta all'uso ripetuto) provochi l'inosservanza delle norme di sicurezza. L'USO IMPROPRIO o la mancata osservanza delle norme di sicurezza indicate in questo manuale possono provocare gravi lesioni personali.**

## DESCRIZIONE FUNZIONALE

#### ATTENZIONE:

- Prima di regolare o controllare le funzioni dell'utensile, verificare sempre di averlo spento e scollegato dall'alimentazione.

### Regolazione della profondità di taglio (Fig. 8)

#### ATTENZIONE:

- Dopo aver regolato la profondità di taglio, serrare accuratamente la leva.

Allentare la leva sulla guida di profondità e sollevare o abbassare la base. Dopo aver raggiunto la profondità di taglio desiderata, fissare la base serrando la leva. Per garantire la massima sicurezza e precisione, impostare la profondità di taglio in modo che dal pezzo in lavorazione fuoriesca solo un dente della lama. Una regolazione corretta della profondità di taglio consente di ridurre l'eventualità di pericolosi CONTRACCOLPI che possono provocare lesioni personali.

### Tagli obliqui (Fig. 9)

#### Fermo positivo

Ruotare il fermo positivo in modo che la freccia sia rivolta in una delle tre posizioni specificate (22,5°, 45°, 50°). Quindi inclinare la base dell'utensile fino al punto di arresto e fissarla con la leva. In questo modo, è stato regolato lo stesso angolo indicato dalla freccia.

#### Impostazione dell'angolo di bisello

Allentare la leva e regolare provvisoriamente la base dell'utensile sull'angolo di bisello 0°, quindi fissare saldamente la leva. Ruotare il fermo positivo facendo in modo che la freccia sia rivolta in una delle tre posizioni (22,5°, 45°, 50°) che corrisponda o sia superiore all'angolo di bisello desiderato. Allentare nuovamente la leva, quindi inclinare e fissare saldamente la base dell'utensile sull'angolo desiderato.

#### NOTA:

- È possibile modificare la posizione del fermo positivo allentando la leva e inclinando l'angolo di bisello su un valore inferiore a quello desiderato per la posizione del fermo.
- Quando la freccia del fermo positivo è rivolta su 22,5°, l'angolo di bisello può essere regolato da 0 a 22,5°; quando è rivolta su 45°, l'angolo può essere da 0 a 45°;

se è rivolta su 50, l'angolo può essere regolato da 0 a 50°.

## Allineamento (Fig. 10)

Per tagli dritti, allineare la linea di taglio con la posizione A sulla parte frontale della base. Per tagli obliqui a 45°, allineare la linea di taglio alla posizione B.

## Azionamento dell'interruttore (Fig. 11)

### ATTENZIONE:

- Prima di collegare l'utensile, controllare che l'interruttore funzioni correttamente e ritorni alla posizione "OFF" una volta rilasciato.

Per accendere l'utensile è sufficiente premere l'interruttore. Per spegnere l'utensile, rilasciare l'interruttore.

## Accensione della spia (Fig. 12)

### ATTENZIONE:

- Evitare colpi alla spia per non danneggiarla o ridurne la durata d'uso.
- Non osservare direttamente la luce o la fonte luminosa.

La spia si illumina quando si collega l'utensile e rimane accesa fino al suo spegnimento.

Se la spia non si illumina, il cavo di alimentazione o la lampadina interna potrebbero essere difettosi. Se la spia si accende ma l'utensile non si avvia nonostante sia acceso, potrebbero essersi usurate le spazzole di carbone oppure il motore o l'interruttore potrebbero essere difettosi.

### NOTA:

- Utilizzare un panno asciutto per pulire la lente della spia. Fare attenzione a non graffiare la lente della spia per evitare riduzioni dell'intensità luminosa.

## MONTAGGIO

### ATTENZIONE:

- Accertarsi sempre che l'utensile sia spento e scollegato dalla presa di corrente prima di iniziare qualsiasi operazione su di esso.

## Allungamento della chiave esagonale (Fig. 13)

La chiave esagonale è conservata sull'utensile. Per rimuoverla, ruotarla verso sé e tirare.

Per montare la chiave esagonale, posizionarla sull'impugnatura e ruotarla fino a portarla a contatto con la sporgenza dell'impugnatura.

## Rimozione o installazione della lama (Fig. 14)

### ATTENZIONE:

- Assicurarsi che la lama sia installata in modo che i denti siano rivolti verso la parte anteriore dell'utensile.
- Per installare o rimuovere la lama utilizzare solo la chiave fornita da Makita.

Per rimuovere la lama, premere il blocco dell'albero in modo che la lama non possa ruotare e utilizzare la chiave esagonale per allentare il bullone ruotandolo in senso

antiorario. Rimuovere il bullone esagonale, la flangia esterna e la lama.

Per montare la lama, attenersi alla procedura di installazione procedendo in senso inverso. **ACCERTARSI DI AVER FISSATO SALDAMENTE IL BULLONE ESAGONALE RUOTANDOLO IN SENSO ORARIO.**

### (Fig. 15)

Quando si sostituisce la lama, rimuovere gli accumuli di segatura dai coprilama superiore e inferiore. Queste operazioni di pulizia non sostituiscono la procedura di controllo del funzionamento del coprilama inferiore, che deve comunque essere eseguita prima di ogni utilizzo.

## Collegamento di un aspiratore (Fig. 16)

Se si desidera eseguire tagli senza produrre polvere, collegare all'utensile un aspiratore Makita. Montare il raccordo sull'utensile utilizzando le viti. Collegare quindi il tubo dell'aspiratore al raccordo secondo quanto illustrato nella figura.

## USO

### ATTENZIONE:

- Accertarsi di spostare in avanti l'utensile procedendo in linea retta con regolarità e senza esercitare una pressione eccessiva. Se si forza o si sposta dalla linea di taglio l'utensile, il motore può surriscaldarsi e si possono verificare pericolosi contraccolpi tali da determinare lesioni personali gravi. **(Fig. 17)**

Durante il funzionamento, afferrare sempre l'utensile utilizzando sia l'impugnatura anteriore sia l'impugnatura posteriore. L'utensile viene fornito con un'impugnatura anteriore e una posteriore. Se entrambe le mani vengono utilizzate per tenere la sega, non potranno essere colpite dalla lama. Collocare la base sul pezzo in lavorazione senza che la lama entri in contatto con il materiale da tagliare. Accendere l'utensile e attendere che la lama raggiunga la massima velocità. Far avanzare l'utensile sulla superficie del pezzo in lavorazione, procedendo in piano e con regolarità fino al completamento del taglio. Per ottenere tagli netti e precisi, avanzare in linea retta e con velocità costante. Se durante il taglio si devia dalla linea prevista, evitare di ruotare o forzare l'utensile in modo da ritornare sulla linea di taglio, perché la lama potrebbe bloccarsi e provocare pericolosi contraccolpi e lesioni personali. Rilasciare l'interruttore, attendere che la lama si arresti e quindi rimuovere l'utensile. Riallineare l'utensile alla nuova linea di taglio e riprendere la lavorazione. Evitare le posizioni che espongono l'operatore ai trucioli e alla polvere espulsi dalla sega. Per una maggiore sicurezza, indossare occhiali di protezione.

## Guida di taglio (regolo guida) (accessori) (Fig. 18)

La pratica guida di taglio consente di realizzare tagli dritti accuratissimi. Far scorrere la guida di taglio mantenendola aderente a un lato del pezzo in lavorazione e fissarla in posizione con la vite sulla parte frontale della base. La guida consente inoltre di realizzare tagli ripetuti mantenendo uniforme la larghezza del taglio.



# MANUTENZIONE

## ATTENZIONE:

- Prima di effettuare controlli e operazioni di manutenzione, verificare sempre che l'utensile sia spento e scollegato.
- Evitare assolutamente di usare benzina, diluenti, solventi, alcol o sostanze simili. In caso contrario, potrebbero verificarsi scoloriture, deformazioni o incrinature.

## Regolazione di precisione per taglio a 90° (taglio verticale)

Questa regolazione è preimpostata dal produttore. Qualora fosse necessario correggerla, mettere a punto l'impostazione con le viti di regolazione utilizzando una chiave esagonale e controllando che la lama sia in squadra con la base usando una squadra triangolare oppure ad angolo retto. (Fig. 19 e 20)

## Sostituzione delle spazzole di carbone (Fig. 21)

Rimuovere e controllare periodicamente le spazzole di carbone. Sostituire le spazzole quando sono consumate fino all'indicatore di limite. Mantenere le spazzole di carbone pulite e libere per farle scivolare nei supporti. Entrambe le spazzole di carbone devono essere sostituite contemporaneamente.

Utilizzare solo spazzole di carbone identiche. Rimuovere i coperchi dei portaspazzola con un cacciavite. Estrarre le spazzole di carbone consumate, inserire le nuove spazzole e fissare i coperchi dei portaspazzola. (Fig. 22) Per mantenere la SICUREZZA e l'AFFIDABILITÀ del prodotto, le riparazioni e qualsiasi altra operazione di manutenzione o regolazione devono essere eseguiti dai centri di assistenza autorizzati Makita utilizzando sempre parti di ricambio originali Makita.

# ACCESSORI OPZIONALI

## ⚠ ATTENZIONE:

- Si consiglia l'uso dei seguenti accessori per l'utensile Makita descritto in questo manuale. L'uso di qualsiasi altro accessorio potrebbe provocare lesioni personali. Utilizzare gli accessori esclusivamente per l'uso dichiarato.

Per l'assistenza e per ulteriori informazioni su tali accessori, rivolgersi al centro assistenza Makita di zona.

- Lame in acciaio con placchette al carburo

Combinazione	Lama ad uso generale per tagli rapidi e agevoli, trasversali e obliqui.
Legno trattato a pressione/umido	Concepito per il taglio rapido di legno trattato a pressione e umido.
Tagli trasversali di precisione	Tagli puliti contro la grana.

006549

- Guida di taglio (regolo guida)
- Chiave esagonale
- Ugello raccogli-polvere (raccordo)

## NOTA:

- Alcuni degli accessori elencati potrebbero essere inclusi nella confezione dell'utensile come accessori standard. Gli accessori standard possono differire da paese a paese.

## Rumore

ENG905-1

Il tipico livello di rumore ponderato "A" è determinato in conformità con la norma EN60745:

Livello di pressione sonora ( $L_{pA}$ ): 89 dB (A)

Livello di potenza sonora ( $L_{WA}$ ): 100 dB (A)

Variazione (K): 3 dB (A)

**Indossare una protezione acustica.**

## Vibrazione

ENG900-1

Il valore totale della vibrazione (somma vettoriale triassiale) è determinato in conformità con la norma EN60745:

Modalità di lavoro: taglio del legno

Emissione delle vibrazioni ( $a_{h,w}$ ): 3,0 m/s<sup>2</sup>

Variazione (K): 1,5 m/s<sup>2</sup>

ENG901-1

- Il valore di emissione delle vibrazioni dichiarato è stato misurato in conformità con il metodo di test standard e può essere utilizzato per confrontare tra loro diversi utensili.
- Il valore dell'emissione delle vibrazioni dichiarato può anche essere usato per stime preliminari dell'esposizione.

## ⚠ AVVERTENZA:

- L'emissione delle vibrazioni durante l'uso effettivo dell'utensile elettrico può risultare diversa rispetto al valore dichiarato, in base alla modalità d'uso dell'utensile.
- Assicurarsi di individuare le necessarie misure di sicurezza per proteggere l'operatore in base a una stima dell'esposizione nelle condizioni reali di utilizzo (prendendo in considerazione tutte le fasi del ciclo operativo, come quante volte l'utensile viene spento e i periodi in cui rimane inattivo, oltre al tempo di avviamento).

## Solo per i paesi europei

ENH101-16

### Dichiarazione di conformità CE

**Makita Corporation, in qualità di produttore responsabile, dichiara che gli utensili Makita indicati di seguito:**

Denominazione dell'utensile: Sega circolare

N. modello /Tipo: 5008MG

appartengono a una produzione in serie e

**sono conformi alle seguenti direttive europee:**

2006/42/EC

Sono inoltre prodotti in conformità con gli standard o i documenti standardizzati riportati di seguito:

EN60745

La documentazione tecnica viene conservata da:  
Makita International Europe Ltd.  
Technical Department,  
Michigan Drive, Tongwell,  
Milton Keynes, Bucks MK15 8JD, Inghilterra

30. 1. 2009



Tomoyasu Kato  
Direttore  
Makita Corporation  
3-11-8, Sumiyoshi-cho,  
Anjo, Aichi, 446-8502, JAPAN

## NEDERLANDS (Originele instructies)

### Verklaring van algemene gegevens

1. Dieptegeleider	9. Uitsteeksel	17. Achterhandgreep
2. Hendel	10. Asvergrendeling	18. Voorhandgreep
3. Positieve stop	11. Zaagblad	19. Breedtegeleider (lignaal)
4. Pijl op positieve stop	12. Inbusbout	20. Stelbout
5. Zool	13. Buitenflens	21. Geodriehoek
6. Aan/uit-schakelaar	14. Binnenflens	22. Slijtgrensmarkering
7. Lamp	15. Ring	23. Koolborsteldop
8. Inbusleutel	16. Stofzuiger	24. Schroevendraaier

## TECHNISCHE GEGEVENS

Model		5008MG
Diameter zaagblad		210 mm
Max. zaagdiepte	bij 90°	75,5 mm
	bij 45°	57 mm
	bij 50°	51,5 mm
Nullasttoerental (min <sup>-1</sup> )		5.200
Totale lengte		332 mm
Nettogewicht		5,1 kg
Veiligheidsklasse		□/II

- Als gevolg van ons doorlopende onderzoeks- en ontwikkelingsprogramma, zijn de technische gegevens van dit gereedschap onderhevig aan veranderingen zonder voorafgaande kennisgeving.
- De technische gegevens kunnen van land tot land verschillen.
- Gewicht volgens EPTA-procedure 01/2003

### Gebruiksdoelinden ENE028-1

Het gereedschap is bedoeld voor het recht zagen in de lengte- en breedterichting, en verstekzagen onder een hoek in hout, waarbij het gereedschap stevig in contact staat met het werkstuk.

### Voeding ENF002-2

Het gereedschap mag uitsluitend worden aangesloten op een voeding met dezelfde spanning als aangegeven op het typeplaatje en werkt alleen op enkele-fase wisselstroom. Het gereedschap is dubbel geïsoleerd en mag derhalve ook op een niet-geaard stopcontact worden aangesloten.

### Voor het openbare laagspanningsnet van 220 V t/m 250 V. ENF100-1

Het in- en uitschakelen van elektrische apparatuur veroorzaakt spanningsfluctuaties. Het gebruik van dit gereedschap terwijl het elektriciteitsnet in een slechte toestand verkeert, kan de werking van andere apparatuur nadelig beïnvloeden. Als de weerstand lager is dan 0,37 ohm, mag u ervan uitgaan dat geen nadelige effecten optreden. Het stopcontact waarop dit gereedschap is aangesloten moet zijn beveiligd met een zekering of veiligheidsstroomonderbreker met trage uitschakeling.

## Algemene veiligheidswaarschuwingen voor elektrisch gereedschap GEA010-1


 **WAARSCHUWING** Lees alle veiligheidswaarschuwingen en alle instructies. Het

niet volgen van de waarschuwingen en instructies kan leiden tot elektrische schokken, brand en/of ernstig letsel.

## Bewaar alle waarschuwingen en instructies om in de toekomst te kunnen raadplegen.

## VEILIGHEIDSWAARSCHUWINGEN SPECIFIEK VOOR EEN HANDCIRKELZAAG GEB013-6

### Zaagmethoden

1.  **WAARSCHUWING:** Houd uw handen uit de buurt van het zaaggebied en het zaagblad. Houd met uw andere hand de voorhandgreep of de behuizing van het gereedschap vast. Als u de cirkelzaag met beide handen vasthoudt, kunt u nooit in uw handen zagen.
2. **Reik nooit met uw handen onder het werkstuk.** De beschermkap kan u niet beschermen onder het werkstuk tegen het zaagblad.
3. **Stel de zaagdiepte in overeenkomstig de dikte van het werkstuk.** Minder dan een volledige tandhoogte dient onder het werkstuk uit te komen.
4. **Houd het werkstuk waarin wordt gezaagd nooit vast met uw handen of benen.** Zorg dat het werkstuk stabiel is ten opzichte van de ondergrond. Het is belangrijk het werkstuk goed te ondersteunen om de kans te minimaliseren dat uw lichaam eraan blootgesteld wordt, het zaagblad

vastloopt of u de controle over het gereedschap verliest.

**Karakteristieke afbeelding met de juiste stand van de handen, de ondersteuning van het werkstuk en de geleiding van de netstroomkabel (indien van toepassing). (zie afb. 1)**

- 5. Houd het elektrisch gereedschap uitsluitend vast aan het geïsoleerde oppervlak van de handgrepen wanneer u werkt op plaatsen waar het snij- of zaagarmatuur met verborgen bedrading of zijn eigen snoer in aanraking kan komen.** Door aanraking van onder spanning staande draden, zullen de niet-geïsoleerde metalen delen van het gereedschap onder spanning komen te staan zodat de gebruiker een elektrische schok kan krijgen.
- 6. Gebruik bij het schulpen altijd de breedtegeleider of de langseleider.** Hierdoor wordt de nauwkeurigheid van het zagen vergroot en de kans op vastlopen van het zaagblad verkleint.
- 7. Gebruik altijd zaagbladen met doorgaten van de juiste afmetingen en vorm (diamant versus rond).** Zaagbladen die niet goed passen op de bevestigingsmiddelen van de cirkelzaag, zullen excentrisch draaien waardoor u de controle over het gereedschap verliest.
- 8. Gebruik nooit een beschadigde of verkeerde bouten en ringen om het zaagblad mee te bevestigen.** De bouten en ringen voor de bevestiging van het zaagblad zijn speciaal ontworpen voor gebruik met uw cirkelzaag voor optimale prestaties en veilig gebruik.

#### **Oorzaken van terugslag en aanverwante waarschuwingen**

- Terugslag is een plotselinge reactie op een bekneld, vastgelopen of niet-uitgelijnd zaagblad, waardoor de oncontroleerbare cirkelzaag omhoog, uit het werkstuk en in de richting van de gebruiker gaat.
- Wanneer het zaagblad bekneld raakt of vastloopt doordat de zaagsnede naar beneden toe smaller wordt, vertraagt het zaagblad en komt als reactie de motor snel omhoog in de richting van de gebruiker.
- Als het zaagblad gebogen of niet-uitgelijnd raakt in de zaagsnede, kunnen de tanden aan de achterrand van het zaagblad zich in het bovenoppervlak van het hout vreten, waardoor het zaagblad uit de zaagsnede klimt en omhoog springt in de richting van de gebruiker.

Terugslag is het gevolg van misbruik van de cirkelzaag en/of onjuiste gebruiksprocedures of -omstandigheden, en kan worden voorkomen door goede voorzorgsmaatregelen te treffen, zoals hieronder vermeld:

- 9. Houd de cirkelzaag stevig vast met beide handen en houdt uw armen zodanig dat een terugslag wordt opgevangen. Plaats uw lichaam zijwaarts versprongen van het zaagblad en niet in een rechte lijn erachter.** Door terugslag kan de cirkelzaag achterwaarts springen, maar de kracht van de terugslag kan met de juiste voorzorgsmaatregelen door de gebruiker worden opgevangen.
- 10. Wanneer het zaagblad vastloopt, of wanneer u om een of andere reden het zagen onderbreekt, laat u de aan/uit-schakelaar los en houdt u de cirkelzaag stil in het materiaal totdat het zaagblad volledig tot stilstand is gekomen. Probeer nooit het zaagblad**

**uit het werkstuk te halen of de cirkelzaag naar achteren te trekken, terwijl het zaagblad nog draait omdat hierdoor een terugslag kan optreden.**

Onderzoek waarom het zaagblad is vastgelopen en tref afdoende maatregelen om de oorzaak ervan op te heffen.

- 11. Wanneer u de cirkelzaag weer inschakelt terwijl het zaagblad in het werkstuk zit, plaatst u het zaagblad in het midden van de zaagsnede en controleert u dat de tanden niet in het materiaal grijpen.** Als het zaagblad is vastgelopen, kan wanneer de cirkelzaag wordt ingeschakeld het zaagblad uit het werkstuk lopen of terugslaan.
- 12. Ondersteun grote platen om de kans te minimaliseren dat het zaagblad bekneld raakt of terugslaat.** Grote platen neigen door te zakken onder hun eigen gewicht. U moet de plaat ondersteunen aan beide zijranden, vlakbij de zaaglijn en vlakbij het uiteinde.

**Ondersteun de plank of plaat vlakbij de zaaglijn om terugslag te voorkomen. (zie afb. 2)**

**Ondersteun de plank of plaat niet op grote afstand van de zaaglijn. (zie afb. 3)**

- 13. Gebruik een bot of beschadigd zaagblad niet meer.** Niet-geslepen of verkeerd gezette tanden maken een smalle zaagsnede wat leidt tot grote wrijving, vastlopen en terugslag.
- 14. De vergrendelhendels voor het instellen van de zaagbladdiepte en verstekhoek moeten vastzitten alvorens te beginnen met zagen.** Als de instellingen van het zaagblad zich tijdens het zagen wijzigen, kan dit leiden tot vastlopen of terugslag.
- 15. Wees extra voorzichtig wanneer u in een bestaande wand zaagt of op een andere plaats waarvan u de onderkant van het zaagoppervlak niet kunt zien.** Wanneer het zaagblad door het materiaal heen breekt, kan het een voorwerp raken waardoor een terugslag optreedt.
- 16. Houd het gereedschap ALTIJD met beide handen stevig vast. Plaats NOOIT uw hand of vingers achter het zaagblad.** Als een terugslag optreedt, kan het zaagblad gemakkelijk achteruit en over uw hand springen waardoor ernstig persoonlijk letsel ontstaat. (zie afb. 4)
- 17. Dwing de cirkelzaag nooit. Duw de cirkelzaag vooruit met een snelheid waarbij het zaagblad niet vertraagt.** Als u het zaagblad dwingt, kan dat leiden tot een ongelijkmatige zaagsnede, verminderde nauwkeurigheid en mogelijke terugslag.

#### **Onderste beschermkap**

- 18. Controleer voor ieder gebruik of de onderste beschermkap goed sluit. Gebruik de cirkelzaag niet als de onderste beschermkap niet vrij kan bewegen en onmiddellijk sluit. Zet de onderste beschermkap nooit vast in de geopende stand.** Als u de cirkelzaag per ongeluk laat vallen, kan de onderste beschermkap worden verbogen. Til de onderste beschermkap op aan de terugtrekhandel en controleer dat deze vrij kan bewegen en niet het zaagblad of enig ander onderdeel raakt, onder alle verstekhoeken en op alle zaagdiepten.
- 19. Controleer de werking van de veer van de onderste beschermkap. Als de beschermkap en de veer niet goed werken, dienen deze te worden**

- gerepareerd voordat de cirkelzaag wordt gebruikt. De onderste beschermkap kan traag werken als gevolg van beschadigde onderdelen, gom- of harsafzetting, of opeenhoping van vuil.
20. **De onderste beschermkap mag alleen met de hand worden geopend voor het maken van speciale zaagsneden, zoals een “blinde” zaagsnede en “samengestelde” zaagsnede. Til de onderste beschermkap op aan de terugtrekhandel en laat deze los zodra het zaagblad in het materiaal zaagt.** Bij alle andere typen zaagsneden, dient de onderste beschermkap automatisch te werken.
21. **Let er altijd op dat de onderste beschermkap het zaagblad bedekt voordat u de cirkelzaag op een werkbank of vloer neerlegt.** Een onbeschermd zaagblad dat nog nadraait, zal de cirkelzaag achteruit doen lopen waarbij alles op zijn weg wordt gezaagd. Denk eraan dat nadat de cirkelzaag is uitgeschakeld het nog enige tijd duurt voordat het zaagblad stilstaat.
22. **U kunt de onderste beschermkap controleren, door deze met de hand te openen, los te laten en te kijken hoe hij sluit. Controleer tevens of de terugtrekhandel de behuizing van het gereedschap niet raakt.** Het zaagblad onbeschermd laten is UITERST GEVAARLIJK en kan leiden tot ernstig persoonlijk letsel.

#### Aanvullende veiligheidswaarschuwingen

23. **Wees extra voorzichtig bij het zagen in nat hout, druk-behandeld timmerhout en hout met knoesten.** Zorg ervoor dat de cirkelzaag soepel vooruit blijft gaan zonder dat de snelheid van het zaagblad lager wordt om te voorkomen dat de punten van het zaagblad warm worden.
24. **Probeer niet afgezaagd materiaal te verwijderen terwijl het zaagblad nog draait. Wacht totdat het zaagblad volledig tot stilstand is gekomen voordat u het afgezaagde materiaal vastpakt.** Het zaagblad draait nog na nadat het gereedschap is uitgeschakeld.
25. **Voorkom dat u spijkers raakt. Inspecteer het hout op spijkers en verwijder deze zo nodig voordat u begint te zagen.**
26. **Plaats het bredere deel van de zool van de cirkelzaag op het deel van het werkstuk dat goed is ondersteund, en niet op het deel dat omlaag valt nadat de zaagsnede gemaakt is. Als voorbeeld laat afbeelding 5 zien hoe u het uiteinde van een plank GOED afzaagt, en afbeelding 6 hoe u dit VERKEERD doet. Als het werkstuk kort of smal is, klemt u het vast. PROBEER NOOIT EEN KORT WERKSTUK IN UW HANDEN VAST TE HOUDEN!**
27. **Voordat u het gereedschap neerlegt na het voltooiën van een zaagsnede, controleert u dat de onderste beschermkap gesloten is en het zaagblad volledig tot stilstand is gekomen.**
28. **Probeer nooit te zagen waarbij de handcirkelzaag ondersteboven in een bankschroef is geklemd. Dit is uiterst gevaarlijk en kan leiden tot ernstig persoonlijk letsel. (zie afb. 7)**
29. **Sommige materialen bevatten chemische stoffen die giftig kunnen zijn. Neem voorzorgsmaatregelen tegen het inademen van stof en contact met de huid. Volg de veiligheidsinstructies van de leverancier van het materiaal op.**

30. **Breng het zaagblad niet tot stilstand door zijdelings op het zaagblad te drukken.**
31. **Gebruik altijd zaagbladen die in deze gebruiksaanwijzing aanbevolen worden. Gebruik geen slijpschijven.**
32. **Houd het zaagblad scherp en schoon.** Gom of hars dat op het zaagblad is opgedroogd vertraagt het zaagblad en verhoogt de kans op terugslag. Houd het zaagblad schoon door dit eerst van het gereedschap te demonteren en het vervolgens schoon te maken met een reinigingsmiddel voor gom en hars, heet water of kerosine. Gebruik nooit benzine.
33. **Draag een stofmasker en gehoorbescherming tijdens gebruik van het gereedschap.**

## BEWAAR DEZE INSTRUCTIES

### ⚠ WAARSCHUWING:

**Laat u NIET misleiden door een vals gevoel van comfort en bekendheid met het gereedschap (na veelvuldig gebruik) en neem alle veiligheidsvoorschriften van het betreffende product altijd strikt in acht. VERKEERD GEBRUIK of het niet volgen van de veiligheidsinstructies in deze gebruiksaanwijzing kan leiden tot ernstig persoonlijk letsel.**

## BESCHRIJVING VAN DE FUNCTIES

### LET OP:

- Controleer altijd of het gereedschap is uitgeschakeld en de stekker uit het stopcontact is getrokken alvorens de functies van het gereedschap te controleren of af te stellen.

### De zaagdiepte instellen (zie afb. 8)

#### LET OP:

- Nadat u de zaagdiepte hebt ingesteld, zet u de hendel altijd stevig vast.

Draai de hendel van de dieptegeleider los en beweeg de zool omhoog of omlaag. Zet de zool vast op de gewenste zaagdiepte door de hendel vast te zetten. Voor een schonere, veiligere zaagsnede, stelt u de zaagdiepte zodanig in dat niet meer dan een tandhoogte door het werkstuk heen steekt. Door de zaagdiepte goed in te stellen, verkleint u de kans op een potentieel gevaarlijke TERUGSLAG, en daarmee op persoonlijk letsel.

### Verticaal verstekzagen (zie afb. 9)

#### Positieve stop

Draai de positieve stop zodat de pijl daarop een van de drie standen aanwijst (22,5°, 45° of 50°). Kantel vervolgens de zool van het gereedschap totdat deze stopt en zet de zool met de hendel vast. Nu zal de cirkelzaag verstekzagen onder de hoek aangegeven door de pijl.

#### De verstekhoek instellen

Zet de hendel los en stel de zool van het gereedschap tijdelijk in op een verstekhoek van 0°, en zet daarna de hendel vast. Draai de positieve stop zodat de pijl daarop een van de drie standen aanwijst (22,5°, 45° of 50°) die gelijk is aan of groter is dan de gewenste verstekhoek. Zet

de hendel weer los, kantel de zool van het gereedschap naar de gewenste hoek, en zet de zool met de hendel vast.

#### **OPMERKING:**

- Om de positieve stop te kunnen veranderen, zet u eerst de hendel los en verkleint u de verstekhoek tot minder dan de gewenste stand van de positieve stop, waarna u de stand van de positieve stop kunt veranderen.
- Als de pijl op de positieve stop 22,5° aanwijst, kan de verstekhoek worden ingesteld tussen 0° en 22,5°; als de pijl 45° aanwijst, kan de verstekhoek worden ingesteld tussen 0° en 45°; en als de pijl 50° aanwijst, kan de verstekhoek worden ingesteld tussen 0° en 50°.

### **Zichtlijn (zie afb. 10)**

Voor recht zagen lijnt u de positie A op de voorkant van de zool uit met de zaaglijn. Voor verticaal verstekzagen onder een hoek van 45°, gebruikt u hiervoor positie B.

### **Aan/uit-schakelaar (zie afb. 11)**

#### **LET OP:**

- Controleer altijd, voordat u de stekker in het stopcontact steekt, of de aan/uit-schakelaar op de juiste manier schakelt en weer terugkeert naar de uitstand nadat deze is losgelaten.

Om het gereedschap in te schakelen, knijpt u gewoon de aan/uit-schakelaar in. Laat de aan/uit-schakelaar los om het gereedschap te stoppen

### **De lamp inschakelen (zie afb. 12)**

#### **LET OP:**

- Stoot niet tegen de lamp omdat deze hierdoor kan worden beschadigd of de levensduur kan worden verkort.
- Kijk niet rechtstreeks in het licht of naar de bron van de lamp.

De lamp gaat branden zodra de stekker van het gereedschap in een stopcontact wordt gestoken. De lamp blijft branden totdat de stekker van het gereedschap uit het stopcontact wordt getrokken.

Als de lamp niet brandt, kan het netsnoer beschadigd zijn of de lamp kapot zijn. Als de lamp brandt, maar het gereedschap niet start, zelfs niet wanneer de schakelaar in de aan-stand wordt gezet, kunnen de koelborstels versleten zijn, of kan de motor of de aan/uit-schakelaar defect zijn.

#### **OPMERKING:**

- Gebruik een doek om het vuil van de lens van de lamp te vegen. Wees voorzichtig de lens van de lamp niet te bekrassen om de lichtopbrengst niet te verlagen.

## **ONDERDELEN AANBRENGEN/ VERWIJDEREN**

#### **LET OP:**

- Controleer altijd of het gereedschap is uitgeschakeld en de stekker uit het stopcontact is getrokken alvorens enige werk aan het gereedschap uit te voeren.

## **Opbergplaats van de inbussleutel (zie afb. 13)**

Een inbussleutel wordt op de cirkelzaag bewaard. Om de inbussleutel eraf te halen, draait u deze naar u toe en trekt u hem eruit.

Om de inbussleutel op te bergen, plaatst u deze op de hendel en draait u hem tot hij het uitsteeksel op de handgreep raakt.

## **Het zaagblad aanbrengen en verwijderen (zie afb. 14)**

#### **LET OP:**

- Verzekeer u ervan dat het zaagblad zodanig wordt aangebracht dat de tanden aan de voorkant van het gereedschap omhoog wijzen.
- Gebruik uitsluitend de Makita-inbussleutel voor het aanbrengen en verwijderen van het zaagblad.

Als u het zaagblad wilt verwijderen, drukt u eerst de asvergrendeling in zodat het zaagblad niet meer kan draaien, en gebruikt u vervolgens de inbussleutel om de inbusbout linksom los te draaien. Verwijder tenslotte de inbusbout, de buitenflens en het zaagblad.

Om het zaagblad aan te brengen, volgt u de procedure in omgekeerde volgorde. **ZORG ERVOOR DAT U DE INBUSBOUT RECHTSOM STEVIG VASTDRAAIT. (zie afb. 15)**

Vergeet niet tijdens het verwisselen van het zaagblad ook de bovenste en onderste beschermkappen te ontdoen van opgehoopt zaagsel. Ondanks dergelijk onderhoud blijft het noodzakelijk de werking van de onderste beschermkap voor ieder gebruik te controleren.

## **Een stofzuiger aansluiten (zie afb. 16)**

Wanneer u tijdens het zagen schoon wilt werken, sluit u een Makita-stofzuiger aan op uw gereedschap. Monteer de aansluitmond op het gereedschap met behulp van de schroeven. Sluit vervolgens de stofzuigerslang aan op de aansluitmond, zoals aangegeven in de afbeelding.

## **BEDIENING**

#### **LET OP:**

- Duw het gereedschap voorzichtig in een rechte lijn naar voren. Als u het gereedschap dwing of verdraait, zal de motor oververhit raken en het gereedschap gevaarlijk terugslaan waardoor ernstig letsel kan worden veroorzaakt. **(zie afb. 17)**

Gebruik altijd de voorhandgreep en achterhandgreep, en houd het gereedschap tijdens gebruik stevig vast aan zowel de voorhandgreep als de achterhandgreep. Het gereedschap is voorzien van zowel een voorhandgreep als een achterhandgreep. Als u de cirkelzaag met beide handen vasthoudt, kunt u nooit in uw handen zagen. Plaats eerst de zool op het werkstuk dat u wilt zagen, zonder dat het zaagblad het werkstuk raakt. Schakel vervolgens het gereedschap in en wacht totdat het zaagblad op volle snelheid draait. Duw het gereedschap nu gewoon naar voren over het oppervlak van het werkstuk, houd het daarbij vlak, en duw gelijkmatig totdat het zagen klaar is.

Zorg voor een schone zaagsnede door een rechte zaaglijn en een constante voortgaande snelheid. Als de zaagsnede niet verloopt volgens de voorgenomen

zaaglijn, mag u niet proberen het gereedschap iets te draaien of te dwingen terug te keren naar de zaaglijn. Als u dit doet, kan het zaagblad vastlopen en een gevaarlijke terugslag optreden met mogelijk ernstig persoonlijk letsel tot gevolg. Laat de aan/uit-schakelaar los, wacht tot het zaagblad tot stilstand is gekomen en trek vervolgens het gereedschap terug. Lijn het gereedschap opnieuw uit met een nieuwe zaaglijn en begin weer te zagen. Probeer te vermijden dat door de positie van het gereedschap de gebruiker wordt blootgesteld aan zaagsel en spaanders die door het gereedschap worden uitgeworpen. Gebruik oogbescherming om verwonding te voorkomen

## Breedtegeleider (liniaal) (los verkrijgbaar) (zie afb. 18)

Met de handige breedtegeleider kunt u extra nauwkeurig recht zagen. Schuif gewoon de breedtegeleider strak tegen de zijkant van het werkstuk en zet deze op zijn plaats vast met behulp van de schroef op de voorkant van de zool van het gereedschap. Op deze manier is het tevens mogelijk een zaagbeweging te herhalen met identieke breedte.

## ONDERHOUD

### LET OP:

- Zorg er altijd voor dat de machine is uitgeschakeld en de stekker uit het stopcontact is getrokken, voordat u een inspectie of onderhoud uitvoert.
- Gebruik nooit benzine, wasbenzine, thinner, alcohol, enz. Dit kan leiden tot verkleuren, vervormen of barsten.

## Het zaagblad nauwkeurig instellen op 90° (voor verticale zaagsnede)

Deze instelling is reeds in de fabriek gemaakt. Maar als dit niet meer juist is, draait u de stelbout met een inbussleutel terwijl u de zaaghoek tussen het zaagblad en de zool van het gereedschap instelt op 90° met behulp van een winkelhaak, geodriehoek, enz. (zie afb. 19 en 20)

## De koolborstels vervangen (zie afb. 21)

Verwijder en controleer de koolborstels regelmatig. Vervang deze wanneer ze tot aan de slijtgrensmarkering zijn afgesleten. Houd de koolborstels schoon en zorg ervoor dat ze vrij kunnen bewegen in de houders. Beide koolborstels dienen tegelijkertijd te worden vervangen. Gebruik alleen identieke koolborstels. Gebruik een schroevendraaier om de koolborsteldoppen te verwijderen. Haal de versleten koolborstels eruit, plaats de nieuwe erin, en zet de koolborsteldoppen goed vast. (zie afb. 22)

Om de VEILIGHEID en BETROUWBAARHEID van het gereedschap te handhaven, dienen alle reparaties, onderhoud en afstellingen te worden uitgevoerd door een erkend Makita-servicecentrum, en altijd met gebruikmaking van originele Makita-ervangingsonderdelen.

## VERKRIJGBARE ACCESSOIRES

### ⚠ LET OP:

- Deze accessoires of hulpstukken worden aanbevolen voor gebruik met het Makita-gereedschap dat in deze gebruiksaanwijzing wordt beschreven. Het gebruik van andere accessoires of hulpstukken kan gevaar voor persoonlijk letsel opleveren. Gebruik de accessoires of hulpstukken uitsluitend voor de aangegeven gebruiksdoeleinden.

Mocht u meer informatie willen hebben over deze accessoires, dan kunt u contact opnemen met uw plaatselijke Makita-servicecentrum.

- Hardmetalen zaagbladen

Combinatie	Zaagblad voor algemeen gebruik voor snel langszagen, afkorten en verstekzagen.
Geïmpregneerd of nat hout	Bedoeld voor snel zagen in geïmpregneerd en nat hout.
Glad afkorten	Voor zaagsneden dwars op de houtnerf die niet meer geschuurd hoeven te worden.

006549

- Breedtegeleider (liniaal)
- Inbussleutel
- Stofafzuigaansluitmond (gewicht)

### OPMERKING:

- Sommige items op de lijst kunnen zijn inbegrepen in de doos van het gereedschap als standaard toebehoren. Zij kunnen van land tot land verschillen.

### Geluid

ENG905-1

De typische, A-gewogen geluidsniveaus zijn gemeten volgens EN60745:

- Geluidsdrukniveau ( $L_{pA}$ ): 89 dB (A)
- Geluidsvermogeniveau ( $L_{wA}$ ): 100 dB (A)
- Onzekerheid (K): 3 dB (A)

### Draag gehoorbescherming.

### Trilling

ENG900-1

De totale trillingswaarde (triaxiale vectorsom) zoals vastgesteld volgens EN60745:

- Gebruikstoepassing: zagen in hout
- Trillingsemmissie ( $a_{h,w}$ ): 3,0 m/s<sup>2</sup>
- Onzekerheid (K): 1,5 m/s<sup>2</sup>

ENG901-1

- De opgegeven trillingsemmissiewaarde is gemeten volgens de standaardtestmethode en kan worden gebruikt om dit gereedschap te vergelijken met andere gereedschappen.
- De opgegeven trillingsemmissiewaarde kan ook worden gebruikt voor een beoordeling vooraf van de blootstelling.

### ⚠ WAARSCHUWING:

- De trillingsemmissie tijdens het gebruik van het elektrische gereedschap in de praktijk kan verschillen van de opgegeven trillingsemmissiewaarde afhankelijk van de manier waarop het gereedschap wordt gebruikt.
- Zorg ervoor dat veiligheidsmaatregelen worden getroffen ter bescherming van de operator die zijn gebaseerd op een schatting van de blootstelling onder praktijkomstandigheden (rekening houdend met alle

fasen van de bedrijfscyclus, zoals de tijdsduur gedurende welke het gereedschap is uitgeschakeld en stationair draait, naast de ingeschakelde tijdsduur).

**Alleen voor Europese landen** ENH101-16  
**EU-verklaring van conformiteit**

**Wij, Makita Corporation, als de verantwoordelijke fabrikant, verklaren dat de volgende Makita-machine(s):**

Aanduiding van de machine: Handcirkelzaag

Modelnr./Type: 5008MG

in serie is geproduceerd en

**Voldoet aan de volgende Europese richtlijnen:**

2006/42/EC

En is gefabriceerd in overeenstemming met de volgende normen of genormaliseerde documenten:

EN60745

De technische documentatie wordt bewaard door:

Makita International Europe Ltd.

Technical Department,

Michigan Drive, Tongwell,

Milton Keynes, Bucks MK15 8JD, Engeland

30. 1. 2009



Tomoyasu Kato

Directeur

Makita Corporation

3-11-8, Sumiyoshi-cho,

Anjo, Aichi, 446-8502, JAPAN



# ESPAÑOL (Instrucciones originales)

## Descripción y visión general

- |                             |                        |                                  |
|-----------------------------|------------------------|----------------------------------|
| 1. Guía de profundidad      | 9. Saliente            | 17. Mango trasero                |
| 2. Palanca                  | 10. Bloqueo del eje    | 18. Empuñadura delantera         |
| 3. Tope positivo            | 11. Hoja de sierra     | 19. Tope lateral (regla de guía) |
| 4. Flecha del tope positivo | 12. Tornillo hexagonal | 20. Tornillo de ajuste           |
| 5. Base                     | 13. Brida exterior     | 21. Escuadra                     |
| 6. Interruptor disparador   | 14. Brida interior     | 22. Marca de límite              |
| 7. Lámpara                  | 15. Anillo             | 23. Tapa del portaescobillas     |
| 8. Llave Allen              | 16. Aspirador          | 24. Destornillador               |

## ESPECIFICACIONES

Modelo		5008MG
Diámetro del disco		210 mm
Profundidad de corte máxima	a 90°	75,5 mm
	a 45°	57 mm
	a 50°	51,5 mm
Velocidad en vacío (mín <sup>-1</sup> )		5.200
Longitud total		332 mm
Peso neto		5,1 kg
Clase de seguridad		□/II

- Debido a nuestro programa continuo de investigación y desarrollo, las especificaciones aquí descritas están sujetas a cambios sin previo aviso.
- Las especificaciones pueden ser diferentes de un país a otro.
- Peso de acuerdo con el procedimiento EPTA 01/2003

### Uso previsto

ENE028-1

La herramienta está diseñada para realizar cortes rectos y cortes a inglete longitudinal y transversalmente en madera mientras mantiene un firme contacto con la pieza de trabajo.

### Alimentación

ENF002-2

La herramienta debe conectarse solamente a una fuente de alimentación de la misma tensión que la indicada en la placa de características, y sólo puede funcionar con corriente alterna monofásica. La herramienta cuenta con un doble aislamiento y puede, por lo tanto, usarse también en tomacorrientes sin conductor de tierra.


### En sistemas públicos de distribución de baja tensión, entre 220 V y 250 V.

ENF100-1

Cambiar de operaciones en los aparatos eléctricos puede provocar fluctuaciones de tensión. El funcionamiento de esta herramienta en condiciones desfavorables de alimentación eléctrica puede afectar negativamente al funcionamiento de otros equipos. Con una impedancia eléctrica igual o inferior a 0,37 ohmios, se puede prever que no habrá ningún efecto negativo. La toma de corriente que se utilice para esta herramienta debe estar protegida con un fusible o disyuntor de protección con características de disyunción lenta.

## Advertencias de seguridad generales para herramientas eléctricas

GEA010-1

 **ADVERTENCIA** Lea todas las advertencias de seguridad y todas las instrucciones. La no observancia


de las advertencias y las instrucciones puede provocar descargas eléctricas, incendios y/o lesiones graves.

## Guarde todas las advertencias e instrucciones para futuras consultas.

## ADVERTENCIAS DE SEGURIDAD PARA LA SIERRA CIRCULAR

GEB013-6

### Procedimientos de corte

1.  **PELIGRO: Mantenga las manos alejadas del área de corte y del disco. Mantenga su segunda mano en el mango auxiliar o en el alojamiento del motor.** Si sujeta la sierra con las dos manos, evitará la posibilidad de sufrir cortes de la hoja.
2. **Nunca se ponga debajo de la pieza de trabajo.** El protector no puede protegerle de la sierra debajo de la pieza de trabajo.
3. **Ajuste la profundidad de corte al grosor de la pieza de trabajo.** Debe verse menos de un diente completo por debajo de la pieza de trabajo.
4. **Nunca sujete la pieza que se está cortando en sus manos o entre sus piernas. Fije la pieza de trabajo a una plataforma estable.** Es importante sujetar la pieza de trabajo correctamente para minimizar la exposición del cuerpo, el agarrotamiento de la hoja o la pérdida de control.

**Ilustración típica de cómo colocar las manos, la pieza de trabajo y el cable de alimentación (si es aplicable). (Fig. 1)**

5. **Sujete la herramienta eléctrica solamente por las superficies de agarre aisladas al realizar una operación en que la herramienta de corte pueda entrar en contacto con cables ocultos o con su propio cable.** Si entra en contacto con un cable con corriente, puede que las piezas metálicas expuestas de la herramienta eléctrica se carguen también de corriente y que el operario reciba una descarga.
6. **Cuando corte al hilo, utilice siempre un tope lateral o una guía de borde recto.** Esto mejora la precisión del corte y reduce la posibilidad de que la hoja se agarrote.
7. **Utilice siempre hojas con la forma (diamante o redondo) y el tamaño correctos de los agujeros del eje del disco.** Las hojas que no coincidan con los elementos de montaje de la sierra funcionarán de forma excéntrica, lo que causará una pérdida de control.
8. **Nunca utilice arandelas o pernos de hoja dañados o incorrectos.** El perno y las arandelas de la hoja se han diseñado específicamente para su hoja, para una seguridad y un rendimiento óptimos.

#### **Causas de contragolpes y advertencias al respecto**

- Un contragolpe es una reacción repentina provocada por un disco mal alineado, comprimido por la madera o agarrotado en ella, que hace perder el control de la sierra y que ésta se levante y salte desde la pieza de trabajo hacia el operario.
- Cuando el corte comprime la hoja al cerrarse o hace que ésta se agarrote, la hoja se atasca y la reacción del motor empuja la unidad rápidamente hacia atrás, hacia el operario.
- Si la hoja se tuerce o está mal alineada en el corte, los dientes de su borde posterior pueden clavarse en la superficie posterior de la madera, haciendo que la hoja se salga del corte y salte hacia el operario.

El contragolpe es el resultado de un mal uso de la hoja o de condiciones o procedimientos de uso incorrectos y se puede evitar tomando las precauciones que se indican a continuación.

9. **Sujete la sierra firmemente con las dos manos y coloque sus brazos de forma que ofrezcan resistencia a las fuerzas de contragolpe. Coloque su cuerpo a ambos lados de la hoja, pero no en línea con ella.** El contragolpe puede provocar que la sierra salte hacia atrás; no obstante, el operario puede controlar la fuerza del contragolpe si toma las precauciones adecuadas.
10. **Cuando la hoja se agarrote o cuando se interrumpa el corte por cualquier motivo, suelte el disparador y mantenga la sierra quieta sobre el material hasta que la hoja se detenga por completo. Nunca intente retirar la sierra de la pieza de trabajo ni tire de la sierra hacia atrás mientras la sierra esté en movimiento ya que se podría producir un contragolpe.** Investigue la causa del agarrotamiento de la hoja y tome las acciones correctoras para eliminarlo.
11. **Cuando vuelva a poner en marcha la sierra sobre la pieza de trabajo, centre la sierra en el corte y compruebe que sus dientes no estén en contacto**

**con el material.** Si la hoja de la sierra se agarrota, puede escalar la pieza de trabajo cuando se vuelve a poner en marcha.

12. **Sujete los paneles grandes para minimizar el riesgo de que la madera comprima la hoja y se produzca un contragolpe.** Los paneles grandes tienden a hundirse bajo su propio peso. Deben colocarse soportes bajo el panel en ambos lados, cerca de la línea de corte y del borde del panel.
- Para evitar los contragolpes, sujete el tablero o el panel cerca del corte. (Fig. 2)**
- No sujete el tablero o el panel lejos del corte. (Fig. 3)**
13. **No utilice hojas romas o dañadas.** Las hojas sin afilar o mal montadas hacen que la entalladura sea estrecha, lo que provoca una fricción excesiva, un agarrotamiento de la hoja y el contragolpe.
  14. **Las palancas de bloqueo del ajuste de bisel y de profundidad deben estar bien apretadas y seguras antes de realizar el corte.** Si el ajuste de la hoja cambia durante el corte, se puede producir agarrotamiento y contragolpes.
  15. **Tenga especial cuidado cuando sierre en paredes u otras áreas ciegas.** La hoja puede cortar objetos que pueden provocar contragolpes.
  16. **Sujete SIEMPRE la herramienta firmemente con ambas manos. NUNCA coloque la mano o los dedos detrás de la sierra.** Si se produce un contragolpe, la sierra puede saltar fácilmente hacia atrás sobre su mano, lo que provocaría graves lesiones personales. (Fig. 4)
  17. **Nunca fuerce la sierra. Empuje la sierra hacia delante a una velocidad en la que la sierra corte sin reducir su velocidad.** Si se fuerza la sierra, los cortes pueden ser desiguales, se puede perder precisión y se pueden producir contragolpes.

#### **Función del protector inferior**

18. **Compruebe si el protector inferior está bien cerrado antes de cada uso. No utilice la sierra si el protector inferior no se mueve libremente y se cierra instantáneamente. Nunca sujete ni mantenga el protector inferior en la posición abierta.** Si la sierra cae accidentalmente, la protección inferior se puede doblar. Levante el protector inferior con el mango para retraerlo y asegúrese de que se mueve libremente y que no toca la hoja ni ninguna otra parte, en todos los ángulos y profundidades de corte.
19. **Compruebe el funcionamiento del muelle del protector inferior. Si el protector y el muelle no funcionan correctamente, deben repararse antes de utilizar la herramienta.** El protector inferior puede funcionar con lentitud debido a piezas dañadas, depósitos pegajosos o acumulación de suciedad.
20. **El protector inferior puede retrasarse manualmente sólo para cortes especiales como “cortes de inmersión” y “cortes compuestos”.** Levante el protector inferior con el mango para retraerlo y, en cuanto la hoja entre en el material, suelte el protector inferior. Para todos los otros cortes con sierra, el protector inferior debe funcionar automáticamente.
21. **Compruebe siempre que el protector inferior cubra la hoja antes de colocar la sierra sobre un banco o en el suelo.** Una hoja sin proteger, que gire

por inercia, puede hacer que la sierra se desplace hacia atrás, cortando lo que esté en su camino. Tenga en cuenta que la hoja tarda un tiempo en detenerse después de soltar el interruptor.

22. **Para comprobar el protector inferior, ábralo a mano, suéltelo y compruebe si se cierra.**  
Compruebe también que el mango, para retraerlo, no toque el alojamiento de la herramienta. Dejar la hoja al descubierto es MUY PELIGROSO y puede provocar graves lesiones personales.

#### Advertencias de seguridad adicionales

23. **Tenga especial cuidado cuando corte madera mojada, madera sometida a presión, o madera que contenga nudos.** Mantenga un avance suave de la herramienta sin reducir la velocidad de la hoja para evitar un sobrecalentamiento de las puntas de la hoja.
24. **No intente retirar material cortado cuando el disco se está moviendo. Espere hasta que la hoja se detenga antes de recoger el material cortado.** Las hojas siguen girando por inercia después de apagar la herramienta.
25. **Evite cortar clavos. Compruebe si hay clavos y retírelos antes de realizar el corte.**
26. **Coloque la parte más ancha de la base de la sierra sobre la pieza de trabajo que está sujeta sólidamente, no sobre la sección que caerá cuando se realice el corte. Como ejemplos, la Fig. 5 ilustra la manera CORRECTA de cortar el extremo de un tablón y la Fig. 6 la manera INCORRECTA.** Si la pieza de trabajo es corta o pequeña, sujétela con el tornillo. ¡NO INTENTE SUJETAR LAS PIEZAS PEQUEÑAS CON LA MANO!
27. **Antes de dejar la herramienta tras completar un corte, asegúrese de que el protector inferior se haya cerrado y que la hoja se haya detenido.**
28. **Nunca intente serrar con la sierra circular boca arriba. Es extremadamente peligroso y puede provocar graves accidentes. (Fig. 7)**
29. **Algunos materiales contienen sustancias químicas que pueden ser tóxicas. Procure evitar la inhalación de polvo y el contacto con la piel. Tenga en cuenta los datos de seguridad del proveedor del material.**
30. **No detenga las hojas mediante presión lateral sobre la hoja de la sierra.**
31. **Utilice siempre los discos recomendados en este manual. No utilice discos abrasivos.**
32. **Mantenga la hoja limpia y afilada.** La goma y la resina de madera endurecidas sobre las hojas ralentizan la sierra y aumentan el potencial de contragolpe. Para mantener la hoja limpia, retírela de la herramienta, límpiela con un producto para eliminar goma y resina, agua caliente o petróleo. Nunca utilice gasolina.
33. **Utilice una mascarilla antipolvo y protección para los oídos cuando utilice la herramienta.**

## GUARDE ESTAS INSTRUCCIONES.

### ⚠️ ADVERTENCIA:

No deje que la comodidad o la familiaridad con el producto (a base de utilizarlo repetidamente)

sustituya la estricta observancia de las normas de seguridad del producto en cuestión. El MAL USO o la no observancia de las normas de seguridad expuestas en este manual de instrucciones pueden ocasionar graves daños corporales.

## DESCRIPCIÓN DEL FUNCIONAMIENTO

### PRECAUCIÓN:

- Asegúrese siempre de que la herramienta esté apagada y desenchufada antes de intentar realizar cualquier tipo de ajuste o comprobación en ella.

### Ajuste de la profundidad de corte (Fig. 8)

#### PRECAUCIÓN:

- Después de ajustar la profundidad de corte, apriete siempre la palanca con firmeza.

Afloje la palanca de la guía de profundidad y suba o baje la base. Cuando haya alcanzado la profundidad de corte deseada, fije la base apretando la palanca. Para lograr cortes más limpios y seguros, fije la profundidad de corte de forma que no se proyecte más de un diente de la hoja por debajo de la pieza de trabajo. El uso de una profundidad de corte correcta ayuda a reducir la posibilidad de peligrosos CONTRAGOLPES que pueden provocar lesiones personales.

### Corte en bisel (Fig. 9)

#### Tope positivo

Gire el tope positivo hasta que la flecha apunte a una de las tres posiciones (22,5°, 45° ó 50°). A continuación incline la base de la herramienta hasta que se detenga y fijela con la palanca. En este punto se obtiene el ángulo al que apunta la flecha.

#### Ajustar el ángulo de bisel

Afloje la palanca, coloque provisionalmente la base de la herramienta en el ángulo de bisel 0° y apriete la palanca firmemente. Gire el tope positivo hasta que la flecha apunte a una posición (22,5°, 45° ó 50°) que sea igual o superior al ángulo de bisel que desea. Vuelva a aflojar la palanca e incline y fije firmemente la base de la herramienta en el ángulo deseado.

#### NOTA:

- Al cambiar el tope positivo de posición, aflojar la palanca e inclinar el ángulo de bisel a una posición inferior a la indicada por el tope permite cambiarlo.
- Cuando la flecha del tope positivo apunta a 22,5 el ángulo de bisel puede ajustarse de 0 a 22,5°, cuando apunta a 45 se puede ajustar de 0 a 45° y cuando apunta a 50 se puede ajustar de 0 a 50°.

### Visor (Fig. 10)

Para cortes rectos, alinee la posición A en la parte delantera de la base con la línea de corte. Para cortes en bisel de 45°, alinee la posición B con la línea de corte.

### Funcionamiento del interruptor (Fig. 11)

#### PRECAUCIÓN:

- Antes de enchufar la herramienta, asegúrese siempre de que el interruptor disparador funcione como es

debido a y de que vuelva a la posición "OFF" (apagado) al soltarlo.

Para poner en marcha la herramienta, simplemente accione el interruptor disparador. Suelte el interruptor disparador para detener la herramienta.

## Encendido de la lámpara (Fig. 12)

### PRECAUCIÓN:

- No exponga la lámpara a golpes, ya que puede ocasionar daños a la misma o acortar su vida de servicio.
- No mire hacia la luz ni mire directamente hacia la fuente de luz.

La lámpara se enciende al enchufar la herramienta. La lámpara permanece iluminada hasta que se desenchufa la herramienta.

Si la lámpara no se enciende, puede que el cable de la corriente o la lámpara estén averiados. Si la lámpara está encendida, pero la herramienta no se pone en marcha aunque esté encendida, puede que las escobillas de carbón estén desgastadas o que el motor o el interruptor de encendido y apagado estén averiados.

### NOTA:

- Utilice un paño seco para limpiar la suciedad del cristal de la lámpara. Procure no rayar el cristal de la lámpara, puesto que puede disminuir el grado de iluminación.

## MONTAJE

### PRECAUCIÓN:

- Asegúrese siempre de que la herramienta esté apagada y desenchufada antes de intentar realizar cualquier trabajo en ella.

## Almacenamiento de la llave Allen (Fig. 13)

La llave Allen se guarda en la propia herramienta. Para extraerla, gírela en dirección a usted y tire de ella.

Para instalar la llave Allen, colóquela en la empuñadura y gírela hasta que toque el saliente de la empuñadura.

## Instalación o extracción del disco de sierra (Fig. 14)

### PRECAUCIÓN:

- Asegúrese de que el disco esté instalado con los dientes apuntando hacia la parte delantera de la herramienta.
- Utilice sólo la llave de Makita para instalar o extraer el disco.

Para extraer el disco, ejerza presión sobre el bloqueo del eje para que el disco no pueda girar y utilice la llave para aflojar el perno hexagonal en el sentido contrario a las agujas del reloj. A continuación, extraiga el perno hexagonal, la brida exterior y el disco.

Para instalar el disco, siga el procedimiento de extracción a la inversa. **ASEGÚRESE DE APRETAR FIRMEMENTE EL PERNO DE CABEZA HEXAGONAL EN EL SENTIDO DE LAS AGUJAS DEL RELOJ. (Fig. 15)**

Cuando cambie el disco, asegúrese de limpiar también los protectores superior e inferior del disco de serrín acumulado. No obstante, tales esfuerzos con sustituyen la necesidad de comprobar el funcionamiento del protector inferior antes de cada uso.

## Conexión del aspirador (Fig. 16)

Si desea realizar una operación de corte limpio, conecte una aspiradora Makita a la herramienta. Instale la junta en la herramienta utilizando los tornillos. A continuación, conecte una manguera de la aspiradora a la junta como se muestra en la figura.

## MANEJO

### PRECAUCIÓN:

- Asegúrese de desplazar la herramienta suavemente hacia delante en línea recta. Si se fuerza o se retuerce la herramienta se provocará un sobrecalentamiento del motor y un peligroso contragolpe, que puede causar graves lesiones personales. (Fig. 17)

Utilice siempre la empuñadura delantera y sujete firmemente la herramienta por la empuñadura delantera y por el mango trasero durante el funcionamiento. La herramienta se suministra con una empuñadura delantera y un mango trasero. Si ambas manos sujetan la sierra no pueden sufrir cortes de la hoja. Coloque la base sobre la pieza de trabajo que debe cortarse sin que el disco realice ningún contacto. A continuación, encienda la herramienta y espere hasta que el disco alcance la velocidad máxima. Ahora sólo tiene que empujar la herramienta hacia delante sobre la superficie de la pieza de trabajo, manteniéndola plana y avanzando suavemente hasta que el proceso de serrado se haya completado.

Para obtener cortes limpios, mantenga la línea de serrado recta y la velocidad de avance uniforme. Si el corte no sigue correctamente la línea de corte prevista, no intente girar la herramienta ni la fuerce para volver a la línea de corte. El disco puede trabarse y provocar peligrosos contragolpes y posibles lesiones graves. Suelte el interruptor, espere a que el disco se pare y retire la herramienta. Vuelva a alinear la herramienta sobre la línea de corte y reinicie el corte. Intente no colocarse en una postura que exponga al operador a astillas y serrín que se expulsan desde la sierra. Utilice protección ocular para evitar lesiones.

## Tope lateral (regla de guía) (accesorio) (Fig. 18)

El útil tope lateral permite realizar cortes rectos de gran precisión. Sólo tiene que deslizar el tope lateral cómodamente hasta el lateral de la pieza de trabajo y fijarlo en posición con el tornillo de la parte delantera de la base. También hace que los cortes repetidos sean del ancho más uniforme posible.

## MANTENIMIENTO

### PRECAUCIÓN:

- Asegúrese siempre de que la herramienta esté apagada y desenchufada antes de intentar realizar cualquier trabajo de inspección o mantenimiento en ella.
- Nunca utilice gasolina, benceno, disolvente, alcohol o un producto similar. Se puede provocar una decoloración, una deformación o grietas.

## Ajustar la precisión para obtener un corte de 90° (corte vertical)

Este ajuste se ha realizado en fábrica. No obstante, si está desactivado ajuste el tornillo de ajuste con una llave Allen mientras coloca el disco en ángulo recto respecto a la base con la ayuda de una escuadra o una regla, etc. (Fig. 19 y 20)

## Reemplazo de las escobillas de carbón (Fig. 21)

Extraiga y compruebe las escobillas de carbón regularmente. Reemplácelas cuando se gasten hasta la marca de límite. Mantenga las escobillas de carbón limpias y de forma que entren libremente en los portaescobillas. Ambas escobillas de carbón deberán ser reemplazadas al mismo tiempo.

Utilice únicamente escobillas de carbón idénticas. Utilice un destornillador para extraer las tapas de los portaescobillas. Saque las escobillas de carbón desgastadas, inserte las nuevas y cierre las tapas de los portaescobillas. (Fig. 22)

Para conservar la SEGURIDAD y la FIABILIDAD del producto, los trabajos de reparación y otros trabajos de mantenimiento y ajuste deberán ser realizados en centros de servicio autorizados de Makita, utilizando siempre repuestos Makita.

## ACCESORIOS OPCIONALES

### ⚠ PRECAUCIÓN:

- Se recomienda el uso de estos accesorios o complementos con la herramienta Makita especificada en este manual. El uso de otros accesorios o complementos puede conllevar el riesgo de ocasionar daños corporales. Utilice los accesorios o complementos solamente para su fin establecido.

Si necesita cualquier ayuda para obtener más información relativa a estos accesorios, pregunte a su centro de servicio Makita local.

- Discos de sierra de acero y con puntas de carburo

Combinación	Disco de uso general para realizar cortes al hilo, transversales y en inglete de forma rápida y suave.
Madera mojada / sometida a presión	Diseñada para cortar madera mojada o sometida a presión de forma rápida.
Cortes transversales finos	Para realizar cortes limpios en la fibra.

006549

- Tope lateral (regla de guía)
- Llave Allen
- Boquilla para el polvo (junta)

### NOTA:

- Algunos elementos de la lista se pueden incluir en el paquete de la herramienta como accesorios estándar. Pueden ser diferentes de un país a otro.

## Ruido

ENG905-1

Niveles típicos de ruido ponderado A determinados conforme a EN60745:

Nivel de presión de sonido ( $L_{pA}$ ): 89 dB (A)

Nivel de potencia de sonido ( $L_{WA}$ ): 100 dB (A)

Incertidumbre (K): 3 dB (A)

**Utilice protección para los oídos.**

## Vibración

ENG900-1

Valor total de la vibración (suma de vectores triaxiales) determinada según el estándar EN60745:

Modo de trabajo: corte de madera

Emisión de vibraciones ( $a_{h,W}$ ): 3,0 m/s<sup>2</sup>

Incertidumbre (K): 1,5 m/s<sup>2</sup>

ENG901-1

- El valor de emisión de vibraciones se ha medido de acuerdo con el método de prueba estándar y se puede utilizar para comparar herramientas.
- El valor de emisión de vibraciones declarado también se puede usar en una evaluación preliminar de la exposición.

### ⚠ ADVERTENCIA:

- La emisión de vibraciones durante el uso de la herramienta eléctrica puede diferir del valor de emisiones declarado, dependiendo de las formas en que se utiliza la herramienta.
- Asegúrese de identificar las mediciones correctas para proteger al operario, que se basan en una estimación de la exposición en condiciones de uso reales (teniendo en cuenta todas las partes del ciclo de operaciones, como los momentos en los que la herramienta está apagada y cuando funciona al ralentí además del tiempo en que está activado el interruptor).

## Sólo para países europeos

ENH101-16

**Declaración de conformidad de la CE**  
**Nosotros, Makita Corporation, en calidad de fabricante responsable, declaramos que las siguientes máquinas Makita:**

Designación de la máquina: Sierra circular

Nº de modelo/ Tipo: 5008MG

son de producción serie y

**Cumplen con las siguientes Directivas europeas:**  
 2006/42/CE

Y se han fabricado de acuerdo con los siguientes estándares o documentos estandarizados:

EN60745

La documentación técnica la conserva:

Makita International Europe Ltd.

Technical Department,

Michigan Drive, Tongwell,

Milton Keynes, Bucks MK15 8JD, Inglaterra

30. 1. 2009



Tomoyasu Kato  
 Director

Makita Corporation  
 3-11-8, Sumiyoshi-cho,  
 Anjo, Aichi, 446-8502, JAPAN

# PORTUGUÊS (Instruções de origem)

## Descrição geral

1. Guia de profundidade	10. Bloqueio do veio	19. Vedação para escarificação (guia paralela)
2. Alavanca	11. Lâmina da serra	20. Parafuso de regulação
3. Batente positivo	12. Parafuso sextavado	21. Esquadro
4. Seta no batente positivo	13. Flange exterior	22. Marca limite
5. Base	14. Flange interior	23. Tampa do porta-escovas
6. Gatilho	15. Anel	24. Chave de parafusos
7. Lâmpada	16. Aspirador	
8. Chave sextavada	17. Pega posterior	
9. Saliência	18. Apoio dianteiro	

## ESPECIFICAÇÕES

Modelo		5008MG
Diâmetro da lâmina		210 mm
Profundidade máxima de corte	a 90°	75,5 mm
	a 45°	57 mm
	a 50°	51,5 mm
Velocidade de rotação sem carga (min. <sup>-1</sup> )		5.200
Comprimento total		332 mm
Peso líquido		5,1 kg
Classe de segurança		□/II

- Devido à pesquisa e desenvolvimento constantes, estas especificações estão sujeitas a alteração sem aviso prévio.
- Estas especificações podem diferir de país para país.
- Peso de acordo com procedimento EPTA de 01/2003

### Utilização prevista ENE028-1

Esta ferramenta destina-se a efectuar cortes rectos ao comprido e laterais e cortes angulares em madeira, mantendo um contacto firme com a peça de trabalho.

### Fonte de alimentação ENF002-2

A ferramenta apenas deve ser ligada a uma fonte de alimentação da mesma tensão que a indicada na chapa de especificações, e apenas pode funcionar com uma alimentação CA monofásica. Estão blindadas duplamente e podem, assim, ser igualmente ligadas a tomadas sem fio terra.

### Para sistemas de distribuição de baixa tensão pública entre 20 V e 250 V. ENF100-1

As operações de mudança dos aparelhos eléctricos podem provocar variações de tensão. O funcionamento deste aparelho em condições de corrente eléctrica desfavoráveis pode causar efeitos adversos no funcionamento de outros equipamentos. Com uma impedância da corrente eléctrica de 0,37 Ohms, poderá presumir-se que não existam efeitos negativos. A tomada utilizada para este dispositivo deve estar protegida com um fusível ou disjuntor de protecção com características de accionamento baixas.

## Avisos gerais de segurança para ferramentas eléctricas GEA010-1

**⚠ AVISO** Leia todos os avisos de segurança e todas as instruções. O não cumprimento dos avisos e instruções pode resultar na ocorrência de choques eléctricos, incêndios e/ou ferimentos graves.

## Guarde todos os avisos e instruções para referência futura.

## AVISOS DE SEGURANÇA PARA A SERRA CIRCULAR GEB013-6

### Procedimentos de corte

1. **⚠ PERIGO:** Mantenha as mãos afastadas da área de corte e da lâmina. Mantenha a outra mão na pega auxiliar ou caixa do motor. Se ambas as mãos estiverem a segurar a serra, não podem ser cortadas pela lâmina.
2. **Não coloque as mãos por baixo da peça de trabalho.** A protecção não o pode proteger da lâmina debaixo da peça de trabalho.
3. **Ajuste a profundidade de corte para a espessura da peça de trabalho.** Deve ser visível menos do que um dente completo dos dentes da lâmina abaixo da peça de trabalho.
4. **Nunca coloque a peça que está a ser cortada nas mãos ou cima das pernas. Fixe a peça de trabalho a uma plataforma estável.** É importante suportar correctamente a peça de trabalho para minimizar a exposição do corpo, dobragem da lâmina ou perda de controlo.

**Uma ilustração típica de um suporte correcto para as mãos, suporte da peça de trabalho e encaminhamento do cabo de alimentação (se aplicável), (Fig. 1)**

5. **Quando executar operações em que ferramentas de corte possam entrar em contacto com fios**

**eléctricos ocultos ou com próprio cabo eléctrico da ferramenta, tenha o cuidado de tocar apenas nas superfícies isoladas dessas ferramentas.** Se entrar em contacto com um cabo sob tensão, as partes metálicas expostas da ferramenta eléctrica podem ficar igualmente sob tensão, podendo provocar um choque eléctrico no operador.

6. **Quando esçarificar, utilize sempre uma vedação para esçarificação ou guia de margem direita.** Isto melhora a precisão do corte e reduz as possibilidades de dobragem da lâmina.
7. **Utilize sempre lâminas com o tamanho e forma correctos (diamante em vez de redondo) dos orifícios de alojamento.** As lâminas que não correspondam ao hardware de instalação da serra funcionarão de forma excêntrica, provocando uma perda de controlo.
8. **Nunca utilize anilhas ou parafusos de lâmina danificados ou incorrectos.** As anilhas e parafusos da lâmina foram concebidos especificamente para a sua serra, para uma utilização ideal e segurança de funcionamento.

#### **Causas de recuos e avisos relacionados**

- o recuo é uma reacção súbita a uma lâmina de serra atracada, empenada ou não alinhada, fazendo com que uma serra não controlada se levante para fora da peça de trabalho, na direcção do operador;
- quando a lâmina está atracada ou bastante presa pelo corte a fechar, a lâmina pára e a reacção do motor atira a rapidamente a unidade na direcção do operador;
- se a lâmina fica torta ou não alinhada no corte, os dentes na parte posterior da lâmina podem enterrar-se na superfície superior da madeira, fazendo com a lâmina suba para fora do corte e salte na direcção do operador.

O recuo é o resultado da má utilização da serra e/ou procedimentos de funcionamento incorrectos e pode ser evitado tomando as devidas precauções, tal como indicado em baixo.

9. **Agarre bem a serra com ambas as mãos e posicione os braços para resistir às forças de recuo. Posicione o seu corpo para um dos lados da lâmina, mas não alinhado com a lâmina.** O recuo pode fazer com que a lâmina salte para trás, mas as forças de recuo podem ser controladas pelo operador, se forem tomadas as devidas precauções.
10. **Quando a lâmina estiver a dobrar ou quando interromper um corte por qualquer razão, solte o gatilho e segure na serra sem a mexer no material, até que a lâmina pare completamente. Nunca tente remover a serra da peça de trabalho ou puxar a serra para trás enquanto a lâmina se estiver a mover, caso contrário, poderá ocorrer um recuo.** Investigue e tome acções correctivas para eliminar a causa do empeno da lâmina.
11. **Quando reiniciar uma serra na peça de trabalho, centre a lâmina da serra no corte e verifique se os dentes da serra não estão presos ao material.** Se a lâmina da serra estiver a dobrar, poderá levantar ou recuar da peça de trabalho, quando a serra é reiniciada.
12. **Dê suporte aos painéis de grandes dimensões, para minimizar o risco de atracar a lâmina e de recuo.** Os painéis de grandes dimensões tendem a

abater sob o seu próprio peso. Os suportes devem ser colocados debaixo do painel em ambos os lados, perto da linha de corte e perto da margem da extremidade do painel.

**Para evitar recuo, dê suporte à prancha ou painel perto do corte. (Fig. 2)**

**Não suporte a prancha ou painel longe do corte. (Fig. 3)**

13. **Não utilize lâminas rombas ou danificadas.** As lâminas rombas ou incorrectamente configuradas produzem um corte estreito, causando fricção excessiva, atracamento da lâmina e recuo.
14. **As alavancas de regulação da profundidade da lâmina e bisel devem estar apertadas e fixas antes de cortar.** Se a regulação da lâmina mudar durante o corte, pode provocar a dobragem da lâmina e recuo.
15. **Tenha um cuidado especial quando serrar paredes existentes ou outras zonas cegas.** A lâmina saliente pode cortar objectos que provocam recuo.
16. **Segure SEMPRE a ferramenta com firmeza, com as duas mãos. NUNCA coloque a mão ou dedos atrás da serra.** Se ocorrer recuo, a serra pode facilmente saltar para trás para cima da mão, provocando ferimentos graves. (Fig. 4)
17. **Nunca force a serra. Empurre a serra para a frente devagar, de forma a que a lâmina corte sem abrandar.** Forçar a serra pode causar cortes irregulares, perda de precisão e possível recuo.

#### **Função da protecção inferior**

18. **Verifique se a protecção inferior fecha correctamente antes de cada utilização. Não accione a serra se a protecção inferior não se mover livremente e não se fechar imediatamente. Nunca prenda ou amarre a protecção inferior na posição aberta.** Se a serra cair acidentalmente, a protecção inferior pode estar dobrada. Levante a protecção inferior com a alavanca de recolha e certifique-se de que se move livremente e não toca na lâmina ou qualquer outra parte, em todos os ângulos e profundidades de corte.
19. **Verifique o funcionamento da mola da protecção inferior. Se a protecção e a mola não estiverem a funcionar correctamente, deve ser efectuada uma operação de manutenção antes de utilizar.** A protecção inferior pode funcionar de forma lenta devido a peças danificadas, depósitos aderentes ou acumulação de resíduos.
20. **A protecção inferior deve ser recolhida manualmente, apenas para cortes especiais tais como “cortes a fundo” e “cortes compostos”.** Levante a protecção inferior utilizando a alavanca de recolha logo que a lâmina entre no material, a protecção inferior deve ser libertada. Para todas as outras operações de serragem, a protecção inferior deve funcionar automaticamente.
21. **Verifique sempre se a protecção inferior está a cobrir a lâmina antes de apoiar a lâmina num banco ou chão.** Uma lâmina desprotegida e a abrandar fará com que a serra avance para trás, cortando tudo o que estiver no seu caminho. Tenha em conta o tempo que a lâmina demora a parar após o interruptor ser libertado.

22. **Para verificar a protecção inferior, abra-a à mão e solte, verificando se fecha correctamente. Verifique igualmente se a alavanca de recolha não toca na caixa da ferramenta.** Deixar a lâmina exposta é MUITO PERIGOSO e pode levar a ferimentos pessoais graves.

#### **Avisos de segurança adicionais**

23. **Tenha muito cuidado quando cortar madeira húmida, madeira com tratamento de pressão ou madeira com nós.** Mantenha um avanço suave da ferramenta sem diminuir a velocidade da lâmina para evitar sobreaquecer as pontas das lâminas.
24. **Não tente remover material cortado quando a lâmina se estiver a mover. Aguarde até que as lâminas parem antes de retirar material cortado.** As lâminas continuam a funcionar após a desligação.
25. **Evite cortar pregos. Verifique e remova quaisquer pregos da madeira antes de cortar.**
26. **Coloque a parte mais larga da base da serra nessa parte da peça de trabalho que está bem apoiada e não na secção que cairá quando o corte for efectuado.** Como exemplos, a Fig. 5 ilustra a foram CORRECTA de cortar a extremidade de uma prancha e a Fig. 6 a forma INCORRECTA. Se a peça de trabalho for curta ou pequena, fixe-a. **NÃO TENTE SEGURAR AS PEÇAS CURTAS COM A MÃO!**
27. **Antes de pousar a ferramenta após concluir um corte, certifique-se de que a protecção inferior está fechada e se a lâmina parou completamente.**
28. **Nunca tente serrar com a serra circular virada ao contrário num torno. Isto é extremamente perigoso e pode levar a acidentes graves. (Fig. 7)**
29. **Alguns materiais contêm químicos que podem ser tóxicos. Tenha cuidado para evitar a inalação e o contacto da pele com o pó produzido. Obedeça às instruções de segurança do fornecedor do material.**
30. **Não pare as lâminas utilizando pressão lateral na lâmina da serra.**
31. **Utilize sempre as lâminas recomendadas neste manual. Não utilize quaisquer rodas abrasivas.**
32. **Mantenha a lâmina afiada e limpa.** A goma e nós da madeira duros nas lâminas abrandam a serra e aumentam o potencial de recuo. Mantenha a lâmina limpa removendo-a da ferramenta e limpando-a com removedor de goma e crude, água quente ou querosene. Nunca utilize gasolina.
33. **Use uma máscara contra o pó e protecção para os ouvidos quando utilizar a ferramenta.**

## **GUARDE ESTAS INSTRUÇÕES.**

### **⚠ AVISO:**

**NÃO** deixe que o conforto ou familiaridade com o produto (obtida de uma utilização regular) substituam um cumprimento severo das regras de segurança do produto em causa. Uma **UTILIZAÇÃO INCORRECTA** ou não cumprimento das regras de segurança indicadas neste manual de instruções podem provocar ferimentos pessoais sérios.

## **DESCRIÇÃO DO FUNCIONAMENTO**

### **PRECAUÇÃO:**

- Certifique-se sempre de que a ferramenta está desligada no interruptor e da tomada antes de proceder a regulações ou testes à mesma.

### **Regular a profundidade de corte (Fig. 8)**

#### **PRECAUÇÃO:**

- Após regular a profundidade de corte, aperte sempre bem a alavanca.

Solte a alavanca na guia de profundidade e mova a base para cima ou para baixo. Na profundidade de corte pretendida, fixe a base apertando a alavanca. Para cortes mais limpos e seguros, defina a profundidade de corte de forma a que não mais de um dente de uma lâmina seja projectado abaixo da peça de trabalho. Utilizar uma profundidade de corte correcta reduz o potencial para RECUOS perigosos que podem causar ferimentos pessoais.

### **Corte em bisel (Fig. 9)**

#### **Batente positivo**

Rode o batente positivo de forma a que a seta aponte para uma de três posições (22,5°, 45°, 50°). De seguida, incline a base da ferramenta até que pare e fixe a base com a alavanca. Neste momento, é obtido o ângulo indicado pela seta.

#### **Regulação do ângulo de bisel**

Solte a alavanca e regule, por tentativas, a base da ferramenta para um ângulo de bisel de 0° e aperte com firmeza a alavanca. Rode o batente positivo de forma a que a seta aponte para uma de três posições (22,5°, 45°, 50°) que seja igual ou superior ao ângulo de bisel pretendido. Solte novamente a alavanca e incline e fixe a base da ferramenta com firmeza no ângulo pretendido.

#### **NOTA:**

- Alterar a posição do batente positivo, soltar a alavanca e inclinar o ângulo de bisel para um valor inferior à posição pretendida do batente permite alterá-lo.
- Quando a seta no batente positivo aponta para 22,5, o ângulo de bisel pode ser regulado para 0 – 22,5°; quando a seta aponta para 45, pode ser regulado para 0 - 45°; quando a seta aponta para 50, pode ser regulado para 0 - 50°.

### **Alinhamento (Fig. 10)**

Para cortes a direito, alinhe a posição A na frente da base com a linha de corte. Para cortes de bisel de 45°, alinhe-a com a posição B.

### **Ação do interruptor (Fig. 11)**

#### **PRECAUÇÃO:**

- Antes de inserir a ficha da ferramenta na tomada, verifique se o gatilho está a funcionar correctamente e se volta à posição "OFF" quando o solta. Para colocar a ferramenta em funcionamento prima o gatilho. Para parar a ferramenta, solte o gatilho.



## Acender a lâmpada (Fig. 12)

### PRECAUÇÃO:

- Não bata na lâmpada, já que poderá causar danos ou diminuir vida útil da mesma.
- Não olhe directamente para a luz da ferramenta.

A lâmpada acende-se quando a ferramenta é ligada à tomada. A lâmpada manter-se-á acesa até ser desligada da tomada.

Se a lâmpada não acender, o cabo de alimentação ou a lâmpada podem estar avariados. Se a lâmpada se acender mas a ferramenta não iniciar, mesmo quando ligada, as escovas de carvão poderão estar gastas ou o interruptor de ligar/desligar podem estar avariados.

### NOTA:

- Para limpar a lâmpada, utilize um tecido seco. Tenha cuidado para não riscar a lente da lâmpada, pois poderia diminuir a intensidade da iluminação.

## MONTAGEM

### PRECAUÇÃO:

- Certifique-se sempre de que a ferramenta está desligada no interruptor e da tomada antes de efectuar qualquer trabalho na mesma.

## Armazenamento da chave sextavada (Fig. 13)

A chave sextavada é guardada na ferramenta. Para retirar a chave sextavada, rode-a na sua direcção e puxe-a para fora.

Para instalar a chave sextavada, coloque-a na pega e rode-a até tocar na saliência da pega.

## Retirar ou instalar a lâmina da serra (Fig. 14)

### PRECAUÇÃO:

- Certifique-se de que a lâmina está instalada com os dentes a apontar para a frente da ferramenta.
- Utilize apenas uma chave Makita para instalar ou remover a lâmina.

Para remover a lâmina, prima o bloqueio do veio de forma a que a lâmina não possa voltar-se e utilize a chave sextavada para desapertar o parafuso sextavado no sentido contrário ao dos ponteiros do relógio. De seguida, remova o parafuso sextavado, a flange exterior e a lâmina.

Para instalar a lâmina, siga o procedimento inverso de remoção. **CERTIFIQUE-SE DE QUE APERTA BEM O PARAFUSO SEXTAVADO NO SENTIDO DOS PONTEIROS DO RELÓGIO. (Fig. 15)**

Quando mudar a lâmina, certifique-se de que limpa igualmente o serrim acumulado nas protecções superiores e inferiores da lâmina. No entanto, tais esforços não substituem a necessidade de verificar o funcionamento da protecção inferior antes de cada utilização.

## Ligar a um aspirador (Fig. 16)

Quando pretender efectuar uma operação de corte limpo, ligue um aspirador Makita à sua ferramenta. Instale a junta na ferramenta utilizando os parafusos. De seguida,

ligue um tubo flexível do aspirador à junta, tal como indicado na figura.

## FUNCIONAMENTO

### PRECAUÇÃO:

- Certifique-se de que move suavemente a ferramenta para a frente numa linha recta. Forçar ou torcer a ferramenta resultará num sobreaquecimento do motor e recuos perigosos, causando possivelmente ferimentos graves. **(Fig. 17)**

Utilize sempre um apoio dianteiro e a pega posterior para segurar firmemente a ferramenta enquanto trabalha. A ferramenta é fornecida com o apoio dianteiro e a pega posterior. Se ambas as mãos estiverem a segurar a serra, não podem ser cortadas pela lâmina. Defina a base na peça de trabalho a cortar, sem que a lâmina faça qualquer contacto. De seguida, ligue a ferramenta e aguarde até que a lâmina atinja a velocidade máxima. Agora, basta mover a ferramenta para a frente na superfície da peça de trabalho, mantendo-a nivelada e avançando suavemente até que termine de serrar.

Para obter cortes limpos, mantenha a linha de serra a direito e a velocidade de avanço uniforme. Se o corte não seguir de forma adequada a linha de corte pretendida, não tente rodar ou forçar a ferramenta novamente para a linha de corte. Ao fazê-lo poderá dobrar a lâmina e levar a recuos perigosos e possíveis ferimentos graves. Solte o interruptor, aguarde que a lâmina pare e retire a ferramenta. Realinhe a ferramenta numa nova linha de corte e comece outra vez a cortar. Tente evitar um posicionamento que exponha o operador a farpas e serrim que são ejectados da serra. Use protecção para os olhos para ajudar a evitar ferimentos.

## Vedação para escarificação (guia paralela) (Acessório) (Fig. 18)

A vedação para escarificação permite que faça cortes a direito bastante precisos. Basta deslizar a vedação para escarificação ao longo da peça de trabalho e fixá-la com o parafuso na frente da base. Possibilita igualmente que faça cortes repetidos com larguras uniformes.

## MANUTENÇÃO

### PRECAUÇÃO:

- Certifique-se sempre de que a ferramenta está desligada no interruptor e da tomada antes de inspeccionar ou fazer a manutenção da ferramenta.
- Nunca utilize gasolina, benzina, diluente, álcool ou semelhante. Podem formar-se descolorações, deformações ou fissuras.

## Regular para precisão de cortes a 90° (corte vertical)

Esta regulação foi feita na fábrica. Mas se estiver incorrecta, ajuste o parafuso de regulação com uma chave sextavada enquanto cria um ângulo recto da lâmina com a base, utilizando um esquadro, esquadro de encosto, etc. **(Fig. 19 e 20)**

## Substituir as escovas de carvão (Fig. 21)

Remova e verifique regularmente as escovas de carvão. Substitua-as quando o desgaste atingir a marca limite.

Mantenha-as limpas e soltas para poderem deslizar nos suportes. Substitua as duas ao mesmo tempo. Utilize apenas escovas idênticas. Utilize uma chave de parafusos para remover as tampas do porta-escovas. Retire as escovas usadas, coloque umas novas e fixe as tampas do porta-escovas. (Fig. 22)

Para manter os níveis de SEGURANÇA e FIABILIDADE definidos para este produto, as reparações, as operações de manutenção ou as regulações devem ser executadas por centros de assistência Makita autorizados e, no caso de substituição de peças, estas devem ser igualmente Makita.

## ACESSÓRIOS OPCIONAIS

### ⚠️ PRECAUÇÃO:

- Os seguintes acessórios ou extensões são os recomendados para utilizar com a ferramenta Makita especificada neste manual. A utilização de quaisquer outros acessórios poderá representar um risco de ferimento para as pessoas. Apenas utilize o acessório para o fim indicado.

Se precisar de informações adicionais relativas aos acessórios, contacte o centro local de assistência Makita.

- Lâminas de serra em aço ou com pontas de carboneto

Combinação	Lâmina multiusos para escarificação, cortes transversais e em esquadria rápidos e suaves.
Madeira húmida/ com tratamento de pressão	Concebida para o corte rápido de madeira com tratamento de pressão ou húmida.
Corte transversal preciso	Para cortes sem areia, precisamente contra o grão da madeira.

006549

- Vedação para escarificação (guia paralela)
- Chave sextavada
- Bico de pó (junta)

### NOTA:

- Alguns itens na lista podem estar incluídos no pacote de ferramentas como acessórios de série. Podem diferir de país para país.

### Ruído

ENG905-1

Os níveis acústicos ponderados A típicos foram determinados segundo a EN60745:

Nível de pressão sonora ( $L_{pA}$ ): 89 dB (A)

Nível de potência sonora ( $L_{WA}$ ): 100 dB (A)

Imprecisão (K): 3 dB (A)

**Use protecção para os ouvidos.**

### Vibração

ENG900-1

O valor total da vibração (soma triaxial de vectores) foi determinado segundo a EN60745:

Modo de trabalho: cortar madeira

Emissão de vibração ( $a_{h,W}$ ): 3,0 m/s<sup>2</sup>

Imprecisão (K): 1,5 m/s<sup>2</sup>

ENG901-1

- O valor da emissão de vibração declarado foi medido de acordo com o método de teste padrão e pode ser utilizado para comparar uma ferramenta com outra.

- O valor da emissão de vibração declarado pode também ser utilizado numa avaliação preliminar de exposição.

### ⚠️ AVISO:

- A emissão de vibração durante a utilização real da ferramenta eléctrica pode ser diferente do valor de emissão declarado, dependendo da forma como a ferramenta é utilizada.
- Certifique-se de que identifica medidas de segurança, para proteger o operador, que são baseadas numa estimativa de exposição nas condições reais de utilização (tendo em conta todas as partes do ciclo de funcionamento, como as vezes que a ferramenta é desligada e quando está a trabalhar ao ralenti, além do tempo de utilização).

### Apenas para países europeus

ENH101-16

### Declaração de conformidade CE

**A Makita Corporation, na qualidade do fabricante responsável, declara que a(s) máquina(s) Makita seguinte(s):**

Designação da máquina: Serra circular

N.º de modelo/Tipo: 5008MG

são produzidas em série e

**estão em conformidade com as Directivas Europeias seguintes:**

2006/42/EC

E são fabricadas de acordo com as normas ou os documentos padronizados seguintes:

EN60745

A documentação técnica é mantida por:

Makita International Europe Ltd.

Technical Department,

Michigan Drive, Tongwell,

Milton Keynes, Bucks MK15 8JD, Inglaterra

30. 1. 2009



Tomoyasu Kato  
Director

Makita Corporation

3-11-8, Sumiyoshi-cho,

Anjo, Aichi, 446-8502, JAPAN

## DANSK (Originalvejledning)

### Forklaring til generel oversigt

1. Dybdeguide	9. Fremspring	17. Bageste håndtag
2. Håndtag	10. Skaftlås	18. Forreste greb
3. Fast anslag	11. Savklinge	19. Parallelanslag (styrepind)
4. Pil på fast anslag	12. Sekskantskrue	20. Justeringskrue
5. Basis	13. Udvendig flange	21. Trekantlineal
6. Kontaktgreb	14. Indvendig flange	22. Slidgrænse
7. Lampe	15. Ring	23. Kulholderdæksel
8. Unbrakonøgle	16. Støvsuger	24. Skruetrækker

## SPECIFIKATIONER

Model		5008MG
Klangediameter		210 mm
Maks. skæredybde	ved 90°	75,5 mm
	ved 45°	57 mm
	ved 50°	51,5 mm
Hastighed uden belastning (min <sup>-1</sup> )		5.200
Længde i alt		332 mm
Nettovægt		5,1 kg
Sikkerhedsklasse		□/II

- På grund af vores løbende forsknings- og udviklingsprogram kan specifikationerne heri ændres uden forudgående varsel.
- Specifikationerne kan variere fra land til land.
- Vægt i henhold til EPTA-procedure 01/2003

### Tilsigtet brug

ENE028-1

Værktøjet er beregnet til lige snit og vinklede geringssnit på langs og på tværs i træ ved fast kontakt med arbejdsemnet.

### Strømforsyning

ENF002-2

Værktøjet bør kun sluttes til en strømforsyning med den spænding, der er angivet på mærkepladen, og det kan kun benyttes med enkeltfasad vekselstrøm. Det er dobbelt isoleret og kan derfor også sluttes til stikkontakter uden jordforbindelse.

### Til offentlige lavspændingssystemer på mellem 220 V og 250 V.

ENF100-1

Når der tændes og slukkes for elektriske apparater, medfører det spændingsudsving. Anvendelse af dette udstyr under dårlige strømforsyningsforhold kan have negativ indflydelse på anvendelsen af andet udstyr. Ved en strømforsyningsimpedans på eller under 0,37 Ohm vil der sandsynligvis ikke være negative effekter. Den stikkontakt, der benyttes til udstyret, skal være beskyttet med en sikring eller beskyttende kortslutningsafbryder med langsom udløsning.

## Generelle sikkerhedsadvarsler for maskiner

GEA010-1

**⚠ ADVARSEL** Læs alle sikkerhedsadvarsler og alle instruktioner. Hvis De ikke følger alle advarsler og instruktioner, kan det medføre elektrisk stød, brand og/eller alvorlig personskade.

## Gem alle advarsler og instruktioner til senere reference.

## SIKKERHEDSADVARSLER FOR RUNDSAV

GEB013-6

### Saveprocedurer

1. **⚠ FARE: Hold hænderne på afstand af skærområdet og klingens. Hold den anden hånd på det ekstra håndtag eller på motorhuset.** Hvis begge hænder holder på saven, kan de ikke blive skåret af klingens.  
2. **Ræk ikke ind under arbejdsemnet.** Klingebeskytteren kan ikke beskytte dig mod klingens under arbejdsemnet.  
3. **Juster skæredybden efter arbejdsemnets tykkelse.** Der skal være mindre end en hel tand af klingetænderne synlig under arbejdsemnet.  
4. **Hold ikke det arbejdsemne, der skæres i, i hænderne eller hen over benet. Fastgør arbejdsemnet til en stabil platform.** Det er vigtigt at støtte arbejdsemnet korrekt for at minimere risiko for personskade, binding af klingens eller tab af kontrol.  
**Typisk illustration af korrekt håndstøtte og støtte af arbejdsemnet samt føring af strømforsyningsledningen (hvis relevant). (Fig. 1)**  
5. **Hold kun maskinen i de isolerede gribeblader, når du udfører arbejde, hvor skæreværktøjet kan komme i kontakt med skjulte ledninger eller værktøjets egen ledning.** Kontakt med en strømførende ledning gør også udsatte metaldele på

maskinen strømførende, hvorved operatøren muligvis kan få elektrisk stød.

6. **Ved flæksavning skal der altid benyttes et parallelenslag eller en lige kantstøtte.** Derved bliver snittet mere nøjagtigt, og risikoen for, at klingens binder, reduceres.
7. **Brug altid klinger med den korrekte størrelse og form (diamant versus rund) af akselhuller.** Klinger, der ikke modsvarer savens monteringsdele, roterer skævt, og du kan miste kontrollen.
8. **Brug aldrig beskadigede eller forkerte spændeskiver eller bolte til klingens.** Spændeskiverne og boltene til klingens er specielt udviklet til savens med henblik på optimal ydelse og driftssikkerhed.

#### Årsager til tilbageslag og relaterede advarsler

- Tilbageslag er en pludselig reaktion på en fastklemt, låst eller forkert justeret savklinge, som kan medføre, at en ukontrolleret sav løftes opad og ud af arbejdsområdet i retning mod operatøren.
- Når klingens kommer i klemme eller sidder fast, fordi savsnittet lukkes sammen, stopper klingens, og motorreaktionen støder apparatet hurtigt tilbage mod operatøren.
- Hvis klingens bliver vredet eller sidder skævt i snittet, kan tænderne bag på klingens skære sig ned i træets øverste overflade, så klingens løftes ud af savsnittet og springer tilbage mod operatøren.

Tilbageslag skyldes forkert brug af savens og/eller forkerte betjeningsprocedurer eller betingelser og kan undgås ved at træffe de nødvendige forsigtighedsregler som beskrevet nedenfor.

9. **Hold godt fast i savens med begge hænder, og placer armene, så de kan modstå tilbageslag. Placer kroppen på siden af klingens, ikke på linje med klingens.** Tilbageslag kan få savens til at springe tilbage, men tilbageslagskræfterne kan kontrolleres af operatøren, hvis de korrekte forholdsregler tages.
  10. **Når klingens binder, eller når et snit afbrydes af andre årsager, skal du slippe kontaktrebet og holde savens stille, indtil klingens står helt stille. Forsøg aldrig at tage savens ud af arbejdsområdet eller at trække savens baglæns, mens klingens bevæger sig, da dette kan medføre tilbageslag.** Se efter og tag modforholdsregler imod årsager til, at klingens binder.
  11. **Når savens startes igen i arbejdsområdet, skal du centrere savklingens i savsnittet og sikre dig, at savtænderne ikke sidder fast i emnet.** Hvis savklingens binder, kan den bevæge sig opad eller slå tilbage fra arbejdsområdet, når savens startes igen.
  12. **Understøt store paneler for at reducere risikoen for, at klingens klemmes fast og forårsager tilbageslag.** Store paneler har tendens til at bøjes under deres egen vægt. Der skal placeres støtter under panelet i begge sider, i nærheden af skæringslinjen og nær panelets kanter.
- Understøt brættet eller panelet i nærheden af snittet for at undgå tilbageslag. (Fig. 2)**
- Understøt ikke brættet eller panelet langt fra snittet. (Fig. 3)**
13. **Undgå at bruge uskarpe eller beskadigede klinger.** Uskarpe eller forkert monterede klinger giver små

skæresnit, der forårsager ekstra friktion, fastklemning af klingens og tilbageslag.

14. **Låsehåndtagene til klingedybde og skråsnitsvinkel skal sidde stramt og sikkert, før du starter.** Hvis klingens flytter sig under skæringen, kan klingens binde og forårsage tilbageslag.
15. **Vær ekstra forsigtig, når du saven i eksisterende vægge eller andre områder, du ikke kan se igennem.** Den udstikkende klinge kan skære i genstande, som kan forårsage tilbageslag.
16. **Hold ALTID godt fast i værktøjet med begge hænder. Anbring ALDRIG hånden eller fingrene bag ved savens.** Hvis der opstår tilbageslag, kan savens nemt springe bagud hen over hånden, hvilket kan forårsage alvorlig personskade. **(Fig. 4)**
17. **Brug aldrig magt på savens. Skub savens fremad ved en hastighed, hvor klingens skærer uden at køre langsommere.** Brug af magt kan medføre ujævne skæringer, tab af præcision og risiko for tilbageslag.

#### Funktion af nederste klingebeskytter

18. **Kontroller, at den nederste klingebeskytter er lukket, hver gang savens skal bruges. Anvend ikke savens, hvis den nederste klingebeskytter ikke bevæger sig frit og lukkes med det samme. Fastlås eller bind aldrig den nederste klingebeskytter i den åbne stilling.** Hvis du taber savens, kan den nederste klingebeskytter blive bøjet. Løft den nederste klingebeskytter med tilbagetrækningshåndtaget, og sørg for, at den bevæger sig frit og ikke berører klingens eller andre dele, uanset skæringsvinkel og -dybde.
19. **Kontroller funktionen af fjederen på den nederste klingebeskytter. Hvis klingebeskytteren og fjederen ikke fungerer korrekt, skal de repareres, før savens anvendes.** Den nederste klingebeskytter kan fungere dårligt på grund af beskadigede dele, fastsiddende gummi eller ophobning af snavs.
20. **Den nederste klingebeskytter må kun trækkes tilbage manuelt i forbindelse med særlige snit, f.eks. "indstiksnit" og "kombinerede snit". Løft den nederste klingebeskytter ved hjælp af tilbagetrækningshåndtaget, og slip den nederste klingebeskytter, så snart klingens sidder i materialet.** Til al anden skæring skal den nederste klingebeskytter fungere automatisk.
21. **Se altid efter, om den nederste klingebeskytter dækker klingens, før savens stilles på arbejdsbænken eller gulvet.** En ubeskyttet frit kørende klinge vil få savens til at bevæge sig baglæns, mens den skærer i alt, hvad den kommer i kontakt med. Vær opmærksom på den tid, det tager for klingens at stoppe, efter at kontakten slippes.
22. **For at kontrollere den nederste klingebeskytter skal du åbne klingebeskytteren manuelt og derefter frigive beskytteren og kontrollere, at den lukkes. Kontroller også, at tilbagetrækningshåndtaget ikke berører værktøjshuset.** Det er MEGET FARLIGT at lade klingens være blottet og kan medføre alvorlig personskade.

## Yderligere sikkerhedsadvarsler

23. Vær ekstra forsigtig ved skæring i vådt træ, trykbehandlet træ eller træ, der indeholder knaster. Før værktøjet jævnt fremad, uden at klingens hastighed reduceres, for at undgå overophedning af klingens takker.
24. Undgå at fjerne afskåret materiale, så længe klingens bevæger sig. Vent til klingens stop, før du tager fat i det afskårne materiale. Klingerne bevæger sig et stykke tid efter, at der slukkes.
25. Undgå at skære i søm. Se efter og fjern alle søm fra træet, før du skærer.
26. Sæt den brede del af savens basis mod den del af arbejdsområdet, der er understøttet solidt, ikke mod den del, der falder af, når snittet er færdigt. Fig. 5 viser et eksempel på den RIGTIGE måde at skære enden af et bræt, og Fig. 6 viser den FORKERTE måde. Fastspænd arbejdsområdet, hvis det er kort eller lille. **DU MÅ IKKE HOLDE KORTE ARBEJDSOMRÅDER I HÅNDEN!**
27. Før du stiller værktøjet fra dig efter at have foretaget en skæring, skal du sikre dig, at den nederste klingebeskytter er lukket, og at klingens stop helt.
28. Forsøg aldrig at save med rundsaven fastspændt med bunden i vejret i en skruestik. Dette er ekstremt farligt og kan medføre alvorlige uheld. (Fig. 7)
29. Nogle materialer indeholder kemikalier, som kan være giftige. Sørg for, at undgå indånding af støv og kontakt med huden. Følg sikkerhedsinstruktionerne fra leverandøren af materialerne.
30. Stop ikke klingerne ved at trykke på siden af savklingen.
31. Anvend altid de klinger, der anbefales i denne brugsanvisning. Anvend ikke nogen former for slibeskiver.
32. Hold klingens skarp og ren. Gummi og tjære, der hærdes på klinger, gør saven langsommere og forøger risikoen for tilbageslag. Hold klingens ren ved først at fjerne den fra værktøjet og derefter rense den med gummi- og tjærefjerner, varmt vand eller petroleum. Brug ikke benzin.
33. Bær støvmaske og høreværn, når værktøjet anvendes.

## GEM DISSE INSTRUKTIONER.

**⚠ ADVARSEL:**  
LAD IKKE tryghed eller kendskab til produktet (fra gentagen brug) føre til, at du ikke strengt overholder sikkerhedsreglerne for det gældende produkt.  
**MISBRUG** eller manglende overholdelse af sikkerhedsreglerne i denne brugsanvisning kan medføre alvorlig personskade.

## FUNKTIONSBESKRIVELSE

### FORSIGTIG:

- Sørg altid for, at værktøjet er slukket, og at stikket er taget ud af stikkontakten, før De justerer værktøjet eller kontrollerer dets funktion.

## Indstilling af skæredybde (Fig. 8)

### FORSIGTIG:

- Skru låsearmen godt fast, når skæredybden er indstillet.

Løsn låsearmen på dybdeguiden og flyt basen op eller ned. Fastgør basis ved at stramme låsearmen ved den ønskede skæredybde. De opnår renere og sikrere snit ved at indstille skæredybden, så der ikke stikker mere end én klingetand ud under arbejdsområdet. Anvendelse af den korrekte skæredybde hjælper med at reducere risikoen for farlige TILBAGESLAG, som kan forårsage personskade.

## Skråsnit (Fig. 9)

### Fast anslag

Drej det faste anslag således, at pilen står i en af tre positioner (22,5°, 45°, 50°). Drej da værktøjet til det stopper og fastgør værktøjet med låsearmen. Derved opnås den samme vinkel som den pilen står i.

### Indstilling af skråvinkel

Løsn låsearmen og sæt værktøjet forsøgsvis ved 0° skråvinkel og skru derefter låsearmen godt fast. Drej det faste anslag således, at pilen på det står i en af tre positioner (22,5°, 45°, 50°), der svarer til eller er større end den ønskede skråvinkel. Løsn låsearmen igen og drej da værktøjet og fastgør det ved den ønskede vinkel.

### BEMÆRK:

- For at ændre det faste anlags position skal låsearmen løsnes og skråvinklen skal drejes til mindre end det ønskede anlagsnummer.
- Når pilen på det faste anslag står ved 22,5°, kan skråvinklen justeres 0 - 22,5°; når pilen står ved 45°, kan den justeres 0 - 45°; når pilen står ved 50°, kan den justeres 0 - 50°.

## Indstilling (Fig. 10)

Ved lige snit justeres positionen A forrest på basen med skærelinjen. For skråsnit på 45° justeres positionen B med den.

## Betjening af kontakt (Fig. 11)

### FORSIGTIG:

- Før værktøjet tilslutes, skal De altid kontrollere, at kontaktgrebet reagerer korrekt og vender tilbage til "OFF"-stillingen, når De slipper det.

For at starte værktøjet skal De blot trykke på kontaktgrebet. Slip kontaktgrebet for at stoppe.

## Tænding af lampe (Fig. 12)

### FORSIGTIG:

- Anvend ikke magt mod lampen, da det kan beskadige den eller forkorte dens levetid.
- Se ikke direkte ind i lyset eller lyskilden.

Lampen lyser, når værktøjet er tilsat. Lampen fortsætter med at lyse, indtil værktøjet afbrydes. Hvis lampen ikke tændes, er netledningen eller lampen muligvis defekte. Hvis lampen lyser, men værktøjet ikke tændes, selvom der er tændt for værktøjet, er kulbørsterne muligvis slidt ned, eller motoren eller kontakten kan være defekte.

## BEMÆRK:

- Benyt en tør klud til at tørre snavs af lampens linse. Pas på ikke at ridse lampens linse, da det kan mindske lysstyrken.

## MONTERING

### FORSIGTIG:

- Sørg altid for, at værktøjet er slukket og taget ud af stikkontakten, før De udfører nogen form for arbejde på værktøjet.

### Opbevaring af unbrakonøgle (Fig. 13)

Unbrakonøgle opbevares i værktøjet. For at fjerne unbrakonøglen skal De dreje den mod Dem selv og hive den ud.

For at montere unbrakonøglen, skal De placere den på håndtaget og dreje den, indtil den kommer i kontakt med fremspringet på håndtaget.

### Aftagning eller montering af savklinge (Fig. 14)

#### FORSIGTIG:

- Sørg for, at klingen er monteret, så tænderne peger opad foran på værktøjet.
- Anvend kun den medfølgende Makita-skruenøgle til at montere eller afmontere klingen.

For at afmontere klingen skal De trykke på skaftlåsen, så klingen ikke kan dreje, og anvende unbrakonøglen til at løsne sekskantmøtrikken i urets retning. Fjern derefter sekskantskruen, den udvendige flange og klingen. Følg fremgangsmåden til afmontering i omvendt rækkefølge for at montere klingen. **SØRG FOR AT SPÆNDE SEKSKANTMØTRIKKEN FAST TIL MOD URET. (Fig. 15)**

Ved skift af klinger skal De sørge for også at fjerne opsamlet savsmuld fra den øverste og nederste klingebeskytter. De skal dog stadig kontrollere den nederste klingebeskytters funktion, hver gang værktøjet skal anvendes.

### Tilslutning til støvsuger (Fig. 16)

Hvis De vil skære og holde arbejdsområdet rent, kan De tilslutte en Makita-støvsuger til værktøjet. Monter samlingen på værktøjet ved hjælp af skruerne. Slut derefter støvsugerslangen til samlingen som vist i figuren.

## BETJENING

### FORSIGTIG:

- Sørg for at flytte værktøjet lige fremad uden at bruge magt. Hvis værktøjet tvinges eller vrides, kan det medføre overophedning af motoren og farligt tilbageslag, som kan føre til alvorlig personskade. (Fig. 17)

Anvend altid et greb foran og et håndtag bagpå, og hold godt fast i værktøjet i både grebet foran og håndtaget bagpå under betjening. Værktøjet har både et greb foran og et håndtag bagpå. Hvis begge hænder holder på saven, kan de ikke blive skåret af klingen. Placer basen på det arbejdsemne, der skal skæres i, uden at klingen berører arbejdsemnet. Tænd derefter for værktøjet, og vent, indtil klingen når fuld hastighed. Flyt værktøjet

fremad hen over arbejdsemnet, idet værktøjet holdes fladt og flyttes jævnt frem, indtil savningen er færdig. De opnår rene snit ved at holde savelinjen lige og flytte værktøjet med jævn hastighed. Forsøg ikke at dreje eller tvinge værktøjet tilbage til skæringslinjen, hvis snittet ikke følger den ønskede skæringslinje. Hvis De gør dette, kan klingen komme i klemme, hvilket kan medføre farligt tilbageslag med risiko for alvorlig personskade. Slip kontakten, vent, til klingen er stoppet, og tag derefter værktøjet ud. Juster værktøjet med den nye skæringslinje, og start skæringen igen. Søg ikke at stille Dem, så De bliver udsat for spåner og træsmuld, der udstødes fra saven. Bær øjenbeskyttelse for at undgå personskade.

### Parallellanslag (styreped) (tilbehør) (Fig. 18)

Med det praktiske parallellanslag kan De udføre ekstremt præcise lige skæringer. Skub parallellanslaget mod siden af arbejdsemnet, og fastgør det med skruen forrest på værktøjets basis. Det gør det også muligt at foretage flere skæringer med ens bredde.

## VEDLIGEHOLDELSE

### FORSIGTIG:

- Sørg altid for, at værktøjet er slukket, og at stikket er taget ud, før De forsøger at udføre inspektion eller vedligeholdelse.
- Brug aldrig benzin, benzen, fortynder, alkohol eller lignende. Det kan muligvis medføre misfarvning, deformation eller revner.

### Justering for præcision ved 90° snit (lodret snit)

Denne justering er udført på fabrikken. Hvis justeringen er unøjagtig, skal De indstille justeringsskruen med en unbrakonøgle, mens klingen oprettes i vinkel ved hjælp af en trekantiåle, ansatsvinkel osv. (Fig. 19 og 20)

### Udskiftning af kulbørsterne (Fig. 21)

Tag regelmæssigt kulbørsterne af, og efterse dem. Udskift dem, når de er nedslidt til slidgrænsen. Hold kulbørsterne rene og frie til at glide i holderne. Begge kulbørster skal udskiftes samtidig. Brug altid identiske kulbørster. Brug en skruetrækker til at fjerne kulholderdækslerne. Tag de udslidte kulbørster ud, monter de nye, og fastgør kulholderdækslerne. (Fig. 22) For at holde produktet SIKKERT og PÅLIDELIGT skal reparationer samt al anden vedligeholdelse eller justering udføres af autoriserede Makita-servicecentre, og der skal altid benyttes Makita-reservedele.

## EKSTRAUDSTYR

### ⚠ FORSIGTIG:

- Dette tilbehør eller ekstraudstyr anbefales til brug med det Makita-værktøj, som er beskrevet i denne brugsanvisning. Brug af andet tilbehør eller ekstraudstyr kan forårsage personskade. Brug kun tilbehør eller ekstraudstyr til det formål, det er beregnet til. Henvend dig til dit lokale Makita-servicecenter, hvis du har brug for hjælp eller yderligere oplysninger vedrørende tilbehøret.

- Savklinger i stål og karbidstålskær

Kombination	Universalsklinge til hurtig og blød flækning, krydshug og geringer.
Trykbehandlet/vådt træ	Udviklet til hurtig skæring af trykbehandlet og vådt træ.
Fine krydshug	Til rene, sandfrie snit mod åren.

006549

- Parallelanslag (styrepind)
- Unbrakonøgle
- Støvmundstykke (samling)

#### BEMÆRK:

- Visse dele på listen er muligvis indeholdt maskinindpakningen som standardtilbehør. De kan variere fra land til land.

#### Støj

ENG905-1

Det typiske A-vægtede støjniveau bestemt i overensstemmelse med EN60745:

Lydtryksniveau ( $L_{pA}$ ): 89 dB (A)  
 Lydeffektniveau ( $L_{WA}$ ): 100 dB (A)  
 Usikkerhed (K): 3 dB (A)

#### Bær høreværn.

#### Vibration

ENG900-1

Den samlede vibrationsværdi (treaksiel vektorsum) bestemt i overensstemmelse med EN60745:

Arbejdstilstand: savning i træ  
 Vibrationsemission ( $a_{h,v}$ ): 3,0 m/s<sup>2</sup>  
 Usikkerhed (K): 1,5 m/s<sup>2</sup>

ENG901-1

- Den opgivne vibrationsemissionsværdi er målt i overensstemmelse med standardtestmetoden og kan bruges til at sammenligne et værktøj med et andet.
- Den opgivne vibrationsemissionsværdi kan muligvis også bruges til en indledende eksponeringsvurdering.

#### ADVARSEL:

- Vibrationsemissionen under den faktiske brug af maskinen kan afvige fra den opgivne emissionsværdi afhængigt af den måde, maskinen anvendes på.
- Sørg for at bestemme sikkerhedsforanstaltninger for beskyttelse af operatøren, som er baseret på en eksponeringsvurdering for brug under faktiske forhold (hvor alle anvendelsescyklussens dele inddrages, som f.eks. antal gange maskinen slukkes, og når den kører i tomgang ud over triggertiden).

#### Kun for europæiske lande

ENH101-16

#### EF-overensstemmelseserklæring

**Vi, Makita Corporation, erklærer som ansvarlig producent at følgende Makita-maskine(r):**

Maskinens betegnelse: Rundsav  
 Modelnummer/ type: 5008MG  
 er en produktionsserie og

#### Overholder følgende europæiske direktiver:

2006/42/EF

Og er produceret i overensstemmelse med følgende standarder eller standardiserede dokumenter:

EN60745

Den tekniske dokumentation findes hos:

Makita International Europe Ltd.  
 Technical Department,  
 Michigan Drive, Tongwell,  
 Milton Keynes, Bucks MK15 8JD, England

30. 1. 2009



Tomoyasu Kato  
 Direktør

Makita Corporation  
 3-11-8, Sumiyoshi-cho,  
 Anjo, Aichi, 446-8502, JAPAN

# ΕΛΛΗΝΙΚΑ (Πρωτογενείς οδηγίες)

## Περιγραφή γενικής όψης

- |                         |                        |                                       |
|-------------------------|------------------------|---------------------------------------|
| 1. Οδηγός βάθους        | 10. Κλειδίωμα άξονα    | 19. Οδηγός κομματιού (Οδηγός χάρακας) |
| 2. Μοχλός               | 11. Δισκοπρίονο        | 20. Βίδα ρύθμισης                     |
| 3. Θετικό στοπ          | 12. Εξαγωνικό μπουλόνι | 21. Τριγωνικός οδηγός                 |
| 4. Βέλος σε θετικό στοπ | 13. Εξωτερική φλάντζα  | 22. Ένδειξη ορίου                     |
| 5. Βάση                 | 14. Εσωτερική φλάντζα  | 23. Καπάκι υποδοχής για το καρβουνάκι |
| 6. Σκανδάλη-διακόπτης   | 15. Δακτύλιος          | 24. Καταβίδι                          |
| 7. Λάμπα                | 16. Ηλεκτρική σκούπα   |                                       |
| 8. Εξαγωνικό άλεν       | 17. Πίσω λαβή          |                                       |
| 9. Προεξοχή             | 18. Μπροστινή λαβή     |                                       |

## ΠΡΟΔΙΑΓΡΑΦΕΣ

Μοντέλο	5008MG	
Διάμετρος δίσκου	210 mm	
Μέγιστο βάθος κοπής	στις 90°	75,5 mm
	στις 45°	57 mm
	στις 50°	51,5 mm
Ταχύτητα χωρίς φορτίο (min <sup>-1</sup> )	5.200	
Ολικό μήκος	332 mm	
Καθαρό βάρος	5,1 kg	
Τάξη ασφάλειας	□/II	

- Λόγω του συνεχόμενου προγράμματος που εφαρμόζουμε για έρευνα και ανάπτυξη, τα τεχνικά χαρακτηριστικά στο παρόν έντυπο υπόκεινται σε αλλαγή χωρίς προειδοποίηση.
- Τα τεχνικά χαρακτηριστικά ενδέχεται να διαφέρουν ανάλογα με τη χώρα.
- Βάρος σύμφωνα με τη διαδικασία ΕΡΤΑ 01/2003

### Προοριζόμενη χρήση ENE028-1

Το εργαλείο προορίζεται για την εκτέλεση ευθειών κοπών κατά μήκος και κατά πλάτος και λοξομών με κλίση σε ξύλο, ενώ βρίσκεται σε σταθερή επαφή με το τεμάχιο εργασίας.

### Ηλεκτρική παροχή ENF002-2

Το εργαλείο πρέπει να συνδέεται μόνο σε ηλεκτρική παροχή της ίδιας τάσης με αυτήν που αναγράφεται στην πινακίδα ονομαστικών τιμών και μπορεί να λειτουργήσει μόνο με εναλλασσόμενο μονοφασικό ρεύμα. Τα εργαλεία αυτά διαθέτουν διπλή μόνωση και συνεπώς μπορούν να συνδεθούν με πρίζες χωρίς γείωση.

### Για δημόσια συστήματα διανομής χαμηλής τάσης μεταξύ 220 V και 250 V. ENF100-1

Η εναλλαγή της λειτουργίας των ηλεκτρικών συσκευών προκαλεί διακυμάνσεις ηλεκτρικής τάσης. Η λειτουργία αυτής της συσκευής κάτω από δυσμενείς συνθήκες κεντρικής ηλεκτρικής παροχής μπορεί να επιδράσει αρνητικά στη λειτουργία άλλου εξοπλισμού. Όταν η αντίσταση κεντρικού ηλεκτρικού ρεύματος είναι ίση ή μικρότερη από 0,37 Ω, μπορεί να θεωρηθεί ότι δεν θα υπάρξουν αρνητικές επιδράσεις. Η πρίζα της κεντρικής ηλεκτρικής παροχής που θα χρησιμοποιηθεί για αυτήν τη συσκευή θα πρέπει να προστατεύεται με τη χρήση ασφάλειας ή προστατευτικού διακόπτη κυκλώματος με χαρακτηριστικά αργής ενεργοποίησης.

## Γενικές Προειδοποιήσεις Ασφαλείας Του Ηλεκτρικού Εργαλείου

GEA010-1

**⚠ ΠΡΟΕΙΔΟΠΟΙΗΣΗ Διαβάστε όλες τις προειδοποιήσεις ασφαλείας και όλες τις οδηγίες.** Αν δεν ακολουθήσετε όλες τις προειδοποιήσεις και τις οδηγίες, υπάρχει κίνδυνος ηλεκτροπληξίας, πυρκαγιάς ή/και σοβαρού τραυματισμού.

## Φυλάξτε όλες τις προειδοποιήσεις και τις οδηγίες για μελλοντική αναφορά.

## ΠΡΟΕΙΔΟΠΟΙΗΣΕΙΣ ΑΣΦΑΛΕΙΑΣ ΔΙΣΚΟΠΡΙΟΝΟΥ

GEB013-6

### Διαδικασίες κοπής

1. **⚠ ΚΙΝΔΥΝΟΣ:** Να κρατάτε τα χέρια σας μακριά από την περιοχή κοπής και το δίσκο. Να κρατάτε με το άλλο σας χέρι τη βοηθητική λαβή ή το περίβλημα του μοτέρ. Εάν κρατάτε το δισκοπρίονο και με τα δύο χέρια, δεν είναι θα δυνατό να κοπούν από το δίσκο.
2. **Μην πιάνετε το υλικό προς κοπή από την κάτω πλευρά.** Το προστατευτικό δεν σας παρέχει προστασία από το δίσκο κάτω από το τεμάχιο εργασίας.



3. **Ρυθμίστε το βάθος κοπής ανάλογα με το πάχος του τεμαχίου εργασίας.** Δεν θα πρέπει να είναι ορατά ολόκληρα τα δόντια του δίσκου κάτω από το τεμάχιο εργασίας.
4. **Μην κρατάτε ποτέ το τεμάχιο εργασίας στα χέρια σας και μην το τοποθετείτε επάνω στο πόδι σας. Ασφαλίστε το τεμάχιο εργασίας σε μια σταθερή βάση.** Είναι σημαντικό να στηρίζεται σωστά το τεμάχιο που πρόκειται να κοπεί για να ελαχιστοποιείται η έκθεση του σώματος, η παρεμπόδιση της κίνησης του δίσκου ή η απώλεια ελέγχου.

**Απεικόνιση της σωστής στήριξης με το χέρι, της στήριξης του υλικού προς κοπή και της δρομολόγησης του ηλεκτρικού καλωδίου (εάν υπάρχει). (Εικ. 1)**

5. **Να κρατάτε το ηλεκτρικό εργαλείο μόνο από τις λαβές με μόνωση όταν εκτελείτε εργασίες κατά τις οποίες το κοπτικό εργαλείο μπορεί να έρθει σε επαφή με κρυμμένα καλώδια ή με το ίδιο του το καλώδιο.** Αν υπάρξει επαφή με κάποιο ηλεκτροφόρο καλώδιο, τα εκτεθειμένα μεταλλικά μέρη του ηλεκτρικού εργαλείου θα γίνουν κι αυτά ηλεκτροφόρα και μπορεί να προκληθεί ηλεκτροπληξία στο χειριστή.
6. **Όταν σχίζετε ξύλο, να χρησιμοποιείτε πάντα οδηγό κοπής ή άλλο οδηγό με ευθύγραμμη ακμή.** Έτσι, βελτιώνεται η ακρίβεια της κοπής και μειώνεται η πιθανότητα να παρεμποδιστεί η κίνηση του δίσκου.
7. **Να χρησιμοποιείτε πάντα δίσκους με οπές στερέωσης σωστού μεγέθους και σχήματος (σχήμα διαμαντιού έναντι στρογγυλού σχήματος).** Οι δίσκοι που δεν ταιριάζουν με το σύστημα στερέωσης του δισκοπρίνου θα παρουσιάζουν έκκεντρη περιστροφή, προκαλώντας απώλεια ελέγχου.
8. **Μη χρησιμοποιείτε ποτέ στο δίσκο ροδέλες ή μπουλόνια που είναι φθαρμένα ή έχουν λάθος μέγεθος.** Οι ροδέλες και τα μπουλόνια του δίσκου είναι ειδικά σχεδιασμένα για το δισκοπρίνο που διαθέτετε, έτσι ώστε να παρέχουν βέλτιστη απόδοση και ασφάλεια λειτουργίας.

#### **Αιτίες κλωστήματος και σχετικές προειδοποιήσεις**

- το κλώστημα είναι μια ξαφνική αντίδραση που προκαλεί την ανεξέλεγκτη ανύψωση του δισκοπρίνου έξω από το τεμάχιο εργασίας και προς τον χειριστή, όταν ο δίσκος είναι μπλοκαρισμένος, παρεμπόδιζεται η κίνηση ή είναι λανθασμένα ευθυγραμμισμένος.
- όταν ο δίσκος είναι μπλοκαρισμένος ή πιασμένος σφιστά από την εγκοπή, ακινητοποιείται και η αντίδραση του μοτέρ οδηγεί το εργαλείο με ταχύτητα προς τα πίσω και προς τη μεριά του χειριστή.
- εάν ο δίσκος στρεβλώσει ή ευθυγραμμιστεί λάθος κατά το κόψιμο, τα δόντια στο πίσω μέρος του δίσκου μπορεί να σκάσουν μέσα στην επάνω επιφάνεια του ξύλου και έτσι ο δίσκος να βγει από την εγκοπή και να αναπηδήσει προς τη μεριά του χειριστή.

Το κλώστημα προκαλείται όταν το δισκοπρίνο χρησιμοποιείται λανθασμένα ή/και όταν οι διαδικασίες ή οι συνθήκες λειτουργίας είναι λανθασμένες και μπορεί να αποφευχθεί αν ληφθούν οι κατάλληλες προφυλάξεις που αναφέρονται παρακάτω.

9. **Να κρατάτε το δισκοπρίνο γερό και με τα δύο χέρια και να τοποθετείτε βραχίονές σας με**

**τρόπο ώστε να αντιστέκονται στη δύναμη του κλωστήματος. Να τοποθετείτε το σώμα σας πλευρικά του δίσκου, αλλά όχι στην ίδια ευθεία με το δίσκο.** Το κλώστημα μπορεί να προκαλέσει την αναπήδηση του δισκοπρίνου προς τα πίσω, αλλά ο χειριστής μπορεί να ελέγξει το κλώστημα αν λάβει τις κατάλληλες προφυλάξεις.

10. **Όταν παρεμπόδιζεται η κίνηση του δίσκου ή όταν διακόπτεται η κοπή για οποιοδήποτε λόγο, αφήστε το διακόπτη και κρατήστε ακίνητο το δισκοπρίνο μέσα στο ξύλο έως ότου ακινητοποιηθεί ο δίσκος. Μη δοκιμάσετε ποτέ να βγάλετε το δισκοπρίνο από το υλικό που κόβεται ούτε να το τραβήξετε προς τα πίσω όταν ο δίσκος κινείται, επειδή το εργαλείο μπορεί να κλωστήσει.** Διερευνήστε την αιτία για την οποία παρεμπόδιζεται η κίνηση του δίσκου και λάβετε διορθωτικά μέτρα.
11. **Όταν ξεκινάτε ξανά την κοπή του τεμαχίου εργασίας, κεντράρετε το δίσκο στην εγκοπή και ελέγξτε ότι τα δόντια του δίσκου δεν έρχονται σε επαφή με το υλικό.** Αν παρεμπόδιζεται η κίνηση του δίσκου, το εργαλείο μπορεί να αναπηδήσει από το τεμάχιο εργασίας ή να κλωστήσει όταν το θέσετε ξανά σε λειτουργία.
12. **Πρέπει να στηρίζετε κατάλληλα τα μεγάλα φύλλα προς κοπή για να ελαχιστοποιείτε τον κίνδυνο παρεμπόδισης της κίνησης του δίσκου, αλλά και του κλωστήματος.** Τα μεγάλα φύλλα τείνουν να βαθαίνουν από το ίδιο τους το βάρος. Πρέπει να τοποθετείτε στηρίγματα κάτω από τα φύλλα και στις δύο πλευρές, κοντά στη γραμμή κοπής και κοντά στην άκρη του φύλλου.

**Για την αποφυγή του κλωστήματος, να στηρίζετε τη σανίδα ή το φύλλο κοντά στο σημείο κοπής. (Εικ. 2) Μη στηρίζετε τη σανίδα ή την πλάκα μακριά από την κοπή. (Εικ. 3)**

13. **Μη χρησιμοποιείτε δίσκους που δεν είναι κοφτεροί ή που είναι κατεστραμμένοι.** Οι δίσκοι που δεν είναι κοφτεροί ή που δεν έχουν ρυθμιστεί σωστά δημιουργούν στενές εγκοπές και προκαλούν μεγάλη τριβή, εμπόδιση της κίνησης του δίσκου και κλώστημα.
14. **Οι μοχλοί ασφάλισης του βάθους του δίσκου και της ρύθμισης της λοξοτομής πρέπει να είναι σφισμένοι και ασφαλισμένοι πριν από την κοπή.** Αν η ρύθμιση του δίσκου μετακινηθεί κατά το πριόνισμα, μπορεί να εμποδιστεί η κίνηση του δίσκου και να προκληθεί κλώστημα.
15. **Δώστε ιδιαίτερη προσοχή κατά το πριόνισμα σε υπάρχοντες τοίχους ή σε άλλες περιοχές για τις οποίες δεν γνωρίζετε τι κρύβουν στο εσωτερικό τους.** Εάν ο δίσκος προεξέχει, μπορεί να κόψει αντικείμενα που θα προκαλέσουν το κλώστημά του.
16. **Να κρατάτε ΠΑΝΤΑ το εργαλείο καλά και με τα δύο χέρια. ΠΟΤΕ μη τοποθετήσετε το χέρι ή τα δάχτυλα σας πίσω από το δισκοπρίνο.** Αν συμβεί κλώστημα, το δισκοπρίνο μπορεί να πεταχτεί προς τα πίσω επάνω στο χέρι σας με πιθανότητα πρόκλησης σοβαρού τραυματισμού. (Εικ. 4)
17. **Μη ζορίζετε ποτέ το δισκοπρίνο. Να σπρώχνετε το δισκοπρίνο προς τα μπροστά με τέτοια ταχύτητα ώστε ο δίσκος να κόβει χωρίς να επιβραδύνει.** Αν ζορίζετε το δισκοπρίνο μπορεί να

προκληθούν ανομοιόμορφες κοπές, απώλεια ακρίβειας και πιθανώς κλώσημα.

#### Λειτουργία κάτω προστατευτικού

18. **Ελέγξτε αν το κάτω προστατευτικό κλείνει σωστά πριν από κάθε χρήση. Μη θέτετε σε λειτουργία το δισκοπρίονο αν το κάτω προστατευτικό δεν κινείται ελεύθερα και δεν κλείνει αμέσως. Μη συγκρατείτε και μη δένετε ποτέ το κάτω προστατευτικό στην ανοιχτή θέση.** Αν το δισκοπρίονο πέσει κάτω κατά λάθος, το κάτω προστατευτικό μπορεί να λυγίσει. Σηκώστε το κάτω προστατευτικό με τη βοήθεια της ανασυρόμενης λαβής και βεβαιωθείτε ότι κινείται ελεύθερα και δεν ακουμπά το δίσκο ή κάποιο άλλο μέρος, σε όλες τις γωνίες και βάθη κοπής.
  19. **Ελέγξτε τη λειτουργία του ελατηρίου του κάτω προστατευτικού. Αν το προστατευτικό και το ελατήριο δεν λειτουργούν σωστά, πρέπει να επισκευαστούν πριν από τη χρήση.** Το κάτω προστατευτικό μπορεί να λειτουργεί με αργό ρυθμό αν υπάρχουν κατεστραμμένα μέρη, ρετσίνι ή συσσώρευση υπολειμμάτων κοπής.
  20. **Να συμπύσσεται το κάτω προστατευτικό με το χέρι μόνο για ειδικά κοψίματα, όπως “τυφλές” και “σύνθετες κοπές”. Ανεβάστε το κάτω προστατευτικό με τη βοήθεια της ανασυρόμενης λαβής και μόλις ο δίσκος εισέλθει στο υλικό, αφήσετε το κάτω προστατευτικό.** Για κάθε άλλη εργασία πριονίσματος, το κάτω προστατευτικό πρέπει να λειτουργεί αυτόματα.
  21. **Να ελέγχετε πάντα εάν το κάτω προστατευτικό καλύπτει το δίσκο πριν τοποθετήσετε το δισκοπρίονο σε πάγκο ή στο πάτωμα.** Εάν ο δίσκος δεν προστατεύεται και κινείται ελεύθερα, το δισκοπρίονο θα κινηθεί προς τα πίσω, κόβοντας ό,τι βρεθεί στο δρόμο του. Λάβετε υπόψη σας το χρόνο που χρειάζεται ο δίσκος να ακινητοποιηθεί αφότου αφήσετε το διακόπτη.
  22. **Για να ελέγξετε το κάτω προστατευτικό, ανοίξτε το κάτω προστατευτικό με το χέρι και κατόπιν αφήστε το και στη συνέχεια παρατηρήστε εάν κλείνει. Επίσης, βεβαιωθείτε ότι δεν ακουμπάει η ανασυρόμενη λαβή στο σώμα του εργαλείου.** Είναι ΠΟΛΥ ΕΠΙΚΙΝΔΥΝΟ το να αφήνετε το δίσκο εκτεθειμένο και αυτό μπορεί να οδηγήσει σε σοβαρό τραυματισμό.
- Επιπρόσθετες προειδοποιήσεις ασφαλείας**
23. **Να προσέχετε ιδιαίτερα όταν κόβετε νωπό ξύλο, ξύλο που έχει υποστεί επεξεργασία με πίεση και ξύλο με ρόζους.** Προωθείτε ομαλά το εργαλείο χωρίς να μειώνεται η ταχύτητα του δίσκου για να μην υπερθερμαίνονται τα άκρα του δίσκου.
  24. **Μην επιχειρήσετε να μετακινήσετε το υλικό κοπής ενώ ο δίσκος κινείται. Περιμένετε μέχρι να ακινητοποιηθεί ο δίσκος πριν έρθετε σε επαφή με τα κομμένα τμήματα.** Οι δίσκοι εξακολουθούν να περιστρέφονται μετά το σβήσιμο.
  25. **Να αποφεύγετε την κοπή καρφιών.** Ελέγξτε αν υπάρχουν καρφιά και αφαιρέστε όλα τα καρφιά από το ξύλο πριν από την κοπή.
  26. **Τοποθετήστε το πλατύτερο τμήμα της βάσης του πριονιού σε εκείνο το τμήμα του τεμαχίου εργασίας που στηρίζεται σταθερά, και όχι στο**

τμήμα εκείνο που θα πέσει όταν θα εκτελεστεί η κοπή. Ως παραδείγματα, η Εικ. 5 δείχνει το ΣΩΣΤΟ τρόπο για να κόψετε την άκρη μιας σανίδας και η Εικ. 6 το ΛΑΝΘΑΣΜΕΝΟ τρόπο. Αν το τεμάχιο εργασίας είναι κοντό ή μικρό, στερεώστε το. **ΜΗΝ ΠΡΟΣΠΑΘΗΣΕΤΕ ΝΑ ΚΡΑΤΗΣΕΤΕ ΜΙΚΡΑ ΚΟΜΜΑΤΙΑ ΜΕ ΤΑ ΧΕΡΙΑ!**

27. **Πριν τοποθετήσετε κάτω το εργαλείο μετά το τέλος της κοπής, βεβαιωθείτε ότι έκλεισε το κάτω προστατευτικό και ακινητοποιήθηκε τελείως ο δίσκος.**
28. **Ποτέ μη δοκιμάσετε να κόψετε όταν το δισκοπρίονο είναι στερεωμένο ανάποδα σε μια μέγκενη.** Αυτό είναι εξαιρετικά επικίνδυνο και μπορεί να οδηγήσει σε σοβαρά ατυχήματα. (Εικ. 7)
29. **Μερικά υλικά περιέχουν χημικές ουσίες που μπορεί να είναι τοξικές. Να προσέχετε ώστε να αποφεύγετε την εισπνοή της σκόνης και την επαφή με το δέρμα.** Ακολουθείτε τα δεδομένα ασφαλείας υλικού που παρέχονται από τον προμηθευτή.
30. **Μη σταματάτε τους δίσκους με πλευρική πίεση στο δισκοπρίονο.**
31. **Να χρησιμοποιείτε πάντοτε δίσκους που συνιστώνται στο παρόν εγχειρίδιο. Μη χρησιμοποιείτε οποιοδήποτε λειαντικό δίσκο.**
32. **Να διατηρείτε το δίσκο κοφτερό και καθαρό.** Η κόλλα και το ρετσίνι που έχουν ξεραθεί επάνω στους δίσκους επιβραδύνουν το δισκοπρίονο και αυξάνουν την πιθανότητα κλωστήματος. Διατηρείτε το δίσκο καθαρό βγάζοντάς τον από το εργαλείο, στη συνέχεια καθαρίζοντάς τον με προϊόντα αφαιρέσεως κόλλας και ρετσινιού, με ζεστό νερό ή κηροζίνη. Μη χρησιμοποιείτε ποτέ βενζίνη.
33. **Να φοράτε προσωπίδα κατά της σκόνης και υτοασπίδες όταν χρησιμοποιείτε το εργαλείο.**

## ΦΥΛΑΞΤΕ ΑΥΤΕΣ ΤΙΣ ΟΔΗΓΙΕΣ.

### ⚠️ ΠΡΟΕΙΔΟΠΟΙΗΣΗ:

**ΜΗΝ επιτρέψετε στη βολικότητα ή στην εξοικειωσή σας με το προϊόν (που αποκτήθηκε από επανειλημμένη χρήση) να αντικαταστήσει την αυστηρή προσήλωση στους κανόνες ασφαλείας του εν λόγω προϊόντος. Η ΛΑΝΘΑΣΜΕΝΗ ΧΡΗΣΗ ή η μη τήρηση των κανόνων ασφαλείας που διατυπώνονται στο παρόν εγχειρίδιο οδηγούν μπορεί να προκαλέσει σοβαρό τραυματισμό.**

## ΠΕΡΙΓΡΑΦΗ ΛΕΙΤΟΥΡΓΙΑΣ

### ΠΡΟΣΟΧΗ:

- Να βεβαιώνετε πάντοτε ότι το εργαλείο είναι σβηστό και απασυνδεδεμένο από το ηλεκτρικό ρεύμα πριν ρυθμίσετε ή ελέγχετε κάποια λειτουργία του.

### Ρύθμιση του βάθους κοπής (Εικ. 8)

### ΠΡΟΣΟΧΗ:

- Μετά τη ρύθμιση του βάθους κοπής, πάντοτε να σφιγγετε καλά το μοχλό.

Χαλαρώστε το μοχλό στον οδηγό βάθους και μετακινήστε τη βάση πάνω ή κάτω. Στο επιθυμητό βάθος κοπής, ασφαλίστε τη βάση σφινγίων στο μοχλό. Για καλύτερη

και ασφαλέστερη κοπή, ρυθμίστε το βάθος κοπής ώστε μόνο ένα δόντι του δίσκου να προεξέχει κάτω από το τεμάχιο εργασίας. Η χρήση κατάλληλου βάθους κοπής συμβάλλει στη μείωση της πιθανότητας επικίνδυνου ΚΛΟΤΣΗΜΑΤΟΣ που μπορεί να προκαλέσει τραυματισμό.

## Λοξοτομή (Εικ. 9)

### Θετικό στοπ

Περιστρέψτε το θετικό στοπ ώστε το βέλος του να είναι στραμμένο προς μία από τις τρεις θέσεις (22,5°, 45°, 50°). Κατόπιν, γείρετε τη βάση εργαλείου έως ότου σταματήσει και ασφαλίστε τη βάση με το μοχλό. Αυτήν τη στιγμή, λαμβάνεται η ίδια γωνία με αυτήν που δείχνει το βέλος.

### Ρύθμιση κλίσης λοξοτομής

Χαλαρώστε το μοχλό, ρυθμίστε αργά τη βάση εργαλείου στη γωνία λοξοτομής 0° και κατόπιν σφίξτε το μοχλό με ασφάλεια. Περιστρέψτε το θετικό στοπ ώστε το βέλος του να είναι στραμμένο προς μία από τις τρεις θέσεις (22,5°, 45°, 50°) που είναι ίση ή μεγαλύτερη από την επιθυμητή γωνία λοξοτομής. Χαλαρώστε ξανά το μοχλό και κατόπιν γείρετε και ασφαλίστε τη βάση του εργαλείου στην επιθυμητή γωνία με ασφάλεια.

### ΣΗΜΕΙΩΣΗ:

- Όταν αλλάζετε τη θέση του θετικού στοπ, μπορείτε να αλλάζετε το μοχλό εάν τον χαλαρώσετε και γείρετε τη γωνία λοξοτομής λιγότερο από τον επιθυμητό αριθμό θέσης του στοπ.
- Όταν το βέλος στο θετικό στοπ είναι στραμμένο σε 22,5°, η γωνία λοξοτομής μπορεί να ρυθμιστεί σε 0 - 22,5°. Όταν το βέλος είναι στραμμένο σε 45°, μπορεί να ρυθμιστεί σε 0 - 45°. Όταν το βέλος είναι στραμμένο σε 50°, μπορεί να ρυθμιστεί σε 0 - 50°.

## Επίβλεψη (Εικ. 10)

Για ευθείες κοπές, ευθυγραμμίστε τη θέση Α στο μπροστινό μέρος της βάσης με τη γραμμή κοπής. Για λοξοτομές 45°, ευθυγραμμίστε τη θέση Β με αυτήν.

## Δράση διακόπτη (Εικ. 11)

### ΠΡΟΣΟΧΗ:

- Πριν συνδέετε το εργαλείο, πάντοτε να ελέγχετε ότι η σκανδάλη-διακόπτης ενεργοποιείται κανονικά και επιστρέφει στη θέση OFF όταν την αφήνετε.

Για να ξεκινάτε το εργαλείο, απλά πιέστε τη σκανδάλη-διακόπτη. Για να σταματήσετε, αφήστε τη σκανδάλη-διακόπτη.

## Αναμμα λάμπας (Εικ. 12)

### ΠΡΟΣΟΧΗ:

- Μην ασκείτε δύναμη στη λάμπα επειδή μπορεί να προκληθεί ζημιά σε αυτήν ή να συντομεύσει η διάρκεια λειτουργίας της.
- Μην κοιτάτε κατευθείαν μέσα στο φως ή στην πηγή φωτός.

Όταν το εργαλείο είναι συνδεδεμένο, ανάβει η λάμπα. Η λάμπα παραμένει αναμμένη έως ότου αποσυνδέσετε το εργαλείο.

Αν δεν ανάβει η λάμπα, μπορεί να είναι ελαττωματικό το ηλεκτρικό καλώδιο ή η λάμπα. Αν η λάμπα είναι αναμμένη, αλλά το εργαλείο δεν ξεκινάει ακόμα και αν

είναι αναμμένο, μπορεί να έχουν φθαρεί τα καρβονάκια ή να είναι ελαττωματικό το μοτέρ ή ο διακόπτης ON/OFF.

### ΣΗΜΕΙΩΣΗ:

- Χρησιμοποιήστε ένα στεγνό πανί για να σκουπίσετε τη σκόνη από το φακό της λάμπας. Προσέχετε να μη γρατσουνίσετε το φακό της λάμπας, επειδή μπορεί να μειωθεί η ένταση του φωτισμού.

## ΣΥΝΑΡΜΟΛΟΓΗΣΗ

### ΠΡΟΣΟΧΗ:

- Να βεβαιώνετε πάντοτε ότι το εργαλείο είναι σβηστό και αποσυνδεδεμένο από το ηλεκτρικό ρεύμα πριν εκτελέσετε οποιαδήποτε εργασία σε αυτό.

## Αποθήκευση εξαγωνικού άλεν (Εικ. 13)

Το εξαγωνικό άλεν βρίσκεται αποθηκευμένο στο εργαλείο. Για να αφαιρέσετε το εξαγωνικό άλεν, περιστρέψτε το προς το μέρος σας και τραβήξτε το προς τα έξω. Για να τοποθετήσετε εξαγωνικό κλειδί, τοποθετήστε το στη λαβή και περιστρέψτε το έως ότου έρθει σε επαφή με την προεξοχή στη λαβή.

## Αφαίρεση ή τοποθέτηση του δισκοπρίονου (Εικ. 14)

### ΠΡΟΣΟΧΗ:

- Βεβαιωθείτε ότι ο δίσκος είναι τοποθετημένος με τα δόντια στραμμένα προς τα πάνω στο μπροστινό μέρος του εργαλείου.
- Να χρησιμοποιείτε μόνο το παρεχόμενο άλεν της Makita για να τοποθετήσετε ή για να αφαιρέσετε το δίσκο.

Για να αφαιρέσετε το δίσκο, πιέστε το κλειδίωμα άξονα ώστε να μην μπορεί να περιστραφεί ο δίσκος και χρησιμοποιήστε το εξαγωνικό άλεν για να χαλαρώσετε το εξαγωνικό μπουλόνι γυρίζοντας το αριστερόστροφα. Κατόπιν, αφαιρέστε το εξαγωνικό μπουλόνι, την εξωτερική φλάντζα και το δίσκο.

Για να τοποθετήσετε το δίσκο, ακολουθήστε τη διαδικασία αφαίρεσης με αντίστροφη σειρά. **ΒΕΒΑΙΩΘΕΙΤΕ ΝΑ ΣΦΙΞΕΤΕ ΚΑΛΑ ΤΟ ΕΞΑΓΩΝΙΚΟ ΜΠΟΥΛΟΝΙ ΓΥΡΙΖΟΝΤΑΣ ΤΟ ΔΕΞΙΟΣΤΡΟΦΑ. (Εικ. 15)**

Όταν αλλάζετε δίσκους, βεβαιωθείτε να καθάρισετε επίσης το πάνω και κάτω προστατευτικό δίσκου από συσσωρευμένο πριονίδι. Ωστόσο, οι ενέργειες αυτές δεν αντικαθιστούν την ανάγκη να ελέγχετε τη λειτουργία του κάτω προστατευτικού πριν από κάθε χρήση.

## Σύνδεση ηλεκτρικής σκούπας (Εικ. 16)

Όταν θέλετε να εκτελέσετε κοπές καθαρά, συνδέστε την ηλεκτρική σκούπα της Makita στο εργαλείο που διαθέτετε. Τοποθετήστε την ένωση στο εργαλείο με τη βοήθεια των βιδών. Κατόπιν, συνδέστε τον εύκαμπτο σωλήνα της ηλεκτρικής σκούπας στην ένωση, όπως απεικονίζεται.

## ΛΕΙΤΟΥΡΓΙΑ

### ΠΡΟΣΟΧΗ:

- Βεβαιωθείτε να μετακινείτε ομαλά το εργαλείο προς τα μπροστά σε ευθεία γραμμή. Αν πιέσετε ή συστρέψετε το εργαλείο, θα έχει ως αποτέλεσμα την υπερθέρμανση του μοτέρ και επικίνδυνο κλότσημα,

που πιθανώς να προκαλέσει σοβαρό τραυματισμό.  
(Εικ. 17)

Να χρησιμοποιείτε πάντα την μπροστινή λαβή και την πίσω λαβή και, κατά τη λειτουργία, να κρατάτε το εργαλείο καλά και από την μπροστινή λαβή και από την πίσω λαβή. Το εργαλείο παρέχεται με μπροστινή και πίσω λαβή. Αν κρατάτε το δισκοπρίονο και με τα δύο χέρια, δεν είναι δυνατό να κοπούν από το δίσκο. Θέστε τη βάση στο τεμάχιο εργασίας που πρόκειται να κοπεί χωρίς ο δίσκος να ακουμπήσει καθόλου. Κατόπιν, ανάψτε το εργαλείο και περιμένετε έως ότου ο δίσκος να αποκτήσει την πλήρη ταχύτητά του. Τώρα, απλά μετακινήστε το εργαλείο προς τα εμπρός πάνω στην επιφάνεια του τεμαχίου εργασίας, κρατώντας το επίπεδο και προωθώντας το ομαλά μέχρι να ολοκληρωθεί η κοπή.

Για να πετύχετε καθαρές κοπές, κρατήστε τη γραμμική κοπή ευθεία και την ταχύτητα προώθησης σταθερή. Αν η κοπή δεν ακολουθήσει σωστά την προοριζόμενη γραμμική κοπή, μην επιχειρήσετε να γυρίσετε ή να πιέσετε το εργαλείο ξανά στη γραμμική κοπή. Αυτό ενδεχομένως να προκαλέσει το πάσιμο του δίσκου και να οδηγήσει σε επικίνδυνο κλότσημα και πιθανώς σοβαρό τραυματισμό. Αφήστε το διακόπτη, περιμένετε να ακινητοποιηθεί ο δίσκος και κατόπιν αποσύρετε το εργαλείο. Ευθυγραμμίστε ξανά το εργαλείο σε καινούργια γραμμική κοπή και ξεκινήστε ξανά την κοπή. Προσπαθήστε να αποφύγετε μια θέση που αφήνει εκτεθειμένο το χειριστή σε θραύσματα και πριονιδία που εκτοξεύονται από το δισκοπρίονο. Χρησιμοποιήστε προστασία ματιών για την αποφυγή τραυματισμού.

## Οδηγός κομματιού (οδηγός χάρακας) (αξεσουάρ) (Εικ. 18)

Ο πρακτικός οδηγός κομματιού σάς επιτρέπει να κάνετε ευθείες κοπές με μεγάλη ακρίβεια. Απλά ολισθήστε τον οδηγό κομματιού εφαρμοστά επάνω στη πλευρά του τεμαχίου εργασίας και ασφαλίστε τον στην κατάλληλη θέση με τη βίδα στο μπροστινό μέρος της βάσης. Αυτό κάνει επίσης δυνατή την επαναλαμβανόμενη κοπή κομματιών σταθερού πλάτους.

## ΣΥΝΤΗΡΗΣΗ

### ΠΡΟΣΟΧΗ:

- Να βεβαιώνεστε πάντοτε ότι το εργαλείο είναι σβηστό και αποσυνδεδεμένο από το ηλεκτρικό ρεύμα πριν εκτελέσετε οποιαδήποτε εργασία ελέγχου ή συντήρησης σε αυτό.
- Μην χρησιμοποιήσετε βενζίνη, βενζόλη, διαλυτικό, αλκοόλη ή κάτι παρόμοιο. Μπορεί να προκληθεί αποχρωματισμός, παραμόρφωση ή ρωγμές.

## Ρύθμιση για ακρίβεια τομής 90° (κάθετη τομή)

Αυτή η ρύθμιση έχει γίνει στο εργοστάσιο. Αλλά, εάν είναι απενεργοποιημένη, ρυθμίστε τη βίδα ρύθμισης με εξαγωγικό άλεν ενώ γωνιάζετε το δίσκο με τη βάση χρησιμοποιώντας τριγωνικό κανόνα, γωνία, κτλ. (Εικ. 19 και 20)

## Αλλαγή καρβουνάκιών (Εικ. 21)

Να αφαιρείτε και να ελέγχετε τακτικά τα καρβουνάκια. Να αντικαθιστάτε τα καρβουνάκια όταν έχουν φθαρεί έως την ένδειξη ορίου. Να διατηρείτε τα καρβουνάκια καθαρά και

ελεύθερα για να γλιστρούν στις υποδοχές. Πρέπει να αλλάξετε ταυτόχρονα και τα δύο καρβουνάκια. Να χρησιμοποιείτε μόνο καρβουνάκια ίδιου τύπου. Με τη βοήθεια ενός κατασβιδιού, βγάλτε τα καπάκια υποδοχής για τα καρβουνάκια. Βγάλτε τα φθαρμένα καρβουνάκια, τοποθετήστε τα καινούργια και ασφαλίστε τα καπάκια υποδοχής για τα καρβουνάκια. (Εικ. 22)  
Για να διατηρείται η ΑΣΦΑΛΕΙΑ και η ΑΞΙΟΠΙΣΤΙΑ του προϊόντος, οι εργασίες επισκευής, καθώς και οποιαδήποτε άλλη εργασία συντήρησης ή ρύθμισης, θα πρέπει να εκτελούνται σε εξουσιοδοτημένα κέντρα εξυπηρέτησης της Makita, και πάντοτε με τη χρήση ανταλλακτικών της Makita.

## ΠΡΟΑΙΡΕΤΙΚΑ ΑΞΕΣΟΥΑΡ

### ⚠ ΠΡΟΣΟΧΗ:

- Συνιστάται η χρήση αυτών των αξεσουάρ ή εξαρτημάτων με το εργαλείο της Makita, όπως περιγράφεται στο παρόν εγχειρίδιο. Αν χρησιμοποιήσετε άλλα αξεσουάρ ή εξαρτήματα μπορεί να παρουσιαστεί κίνδυνος για πρόκληση τραυματισμού προσωπών. Να χρησιμοποιείτε τα αξεσουάρ και τα εξαρτήματα μόνο για το σκοπό για τον οποίο προορίζονται.

Αν χρειάζεστε κάποια βοήθεια ή περισσότερες πληροφορίες σχετικά με τα αξεσουάρ αυτά, απευθυνθείτε στο πλησιέστερο κέντρο εξυπηρέτησης της Makita.

- Δισκοπρίονο από αστάλι και μύτες καρβιδίου

Συνδυασμός	Δίσκος γενική χρήσης για ταχείες και ομαλές κοπές, εγκάρσιες τομές και λοξοτομές.
Ξυλεία επεξεργασμένη με πίεση/Υγρή ξυλεία	Σχεδιασμένο για ταχεία κοπή της ξυλείας που έχει υποστεί επεξεργασία με πίεση και υγρής ξυλείας.
Ακρίβεις εγκάρσιες τομές	Για καθαρές τομές χωρίς λείανση αντίθετα προς τις ίνες του ξύλου.

006549

- Οδηγός κομματιού (Οδηγός χάρακας)
- Εξαγωγικό άλεν
- Ακροφύσιο σκόνης (ένωση)

### ΣΗΜΕΙΩΣΗ:

- Ορισμένα από τα στοιχεία της λίστα μπορεί να περιέχονται στην συσκευασία του εργαλείου ως κανονικά αξεσουάρ. Αυτά ενδέχεται να διαφέρουν από χώρα σε χώρα.

### Θόρυβος

ENG905-1

Το σύνθηες σταθμισμένο επίπεδο θορύβου που έχει καθοριστεί σύμφωνα με την EN60745:

Επίπεδο ηχητικής πίεσης (L<sub>PA</sub>): 89 dB (A)

Επίπεδο ηχητικής ισχύος (L<sub>WA</sub>): 100 dB (A)

Αβεβαιότητα (K): 3 dB (A)

**Να φοράτε ωτοασπίδες.**

### Δόνηση

ENG900-1

Η συνολική τιμή δόνησης (διανυσματικό άθροισμα τριών αξόνων) που έχει καθοριστεί σύμφωνα με την EN60745:

Κατάσταση λειτουργίας: κοπή ξύλου

Εκπομπή δόνησης (a<sub>h,w</sub>): 3,0 m/s<sup>2</sup>

Αβεβαιότητα (K): 1,5 m/s<sup>2</sup>

- Η δηλωθείσα τιμή των παραγομένων κραδασμών έχει καταμετρηθεί σύμφωνα με την τυποποιημένη μέθοδο δοκιμασίας και μπορεί να χρησιμοποιηθεί για την σύγκριση ενός εργαλείου με ένα άλλο.
- Η δηλωθείσα τιμή των παραγομένων κραδασμών μπορεί επίσης να χρησιμοποιηθεί για μια προκαταρκτική αξιολόγηση της έκθεσης στους κραδασμούς.

#### **⚠ ΠΡΟΕΙΔΟΠΟΙΗΣΗ:**

- Η εκπομπή κραδασμών κατά τη διάρκεια της πραγματικής χρήσης του ηλεκτρικού εργαλείου μπορεί να διαφέρει από τη δηλωθείσα τιμή των εκπομπών, ανάλογα με τον τρόπο με τον οποίο χρησιμοποιείται το εργαλείο.
- Φροντίστε να λάβετε τα μέτρα ασφαλείας που απαιτούνται για την προστασία του χρήστη που βασίζονται σε μια εκτίμηση της έκθεσης σε πραγματικές συνθήκες χρήσης (λαμβάνοντας υπόψη όλα τα μέρη του κύκλου λειτουργίας, όπως είναι οι περιπτώσεις κατά τις οποίες το εργαλείο είναι απενεργοποιημένο και όταν λειτουργεί στο ρελαντί επιπροσθέτως του χρόνου κατά τον οποίο το εργαλείο βρίσκεται σε χρήση).

**Για Ευρωπαϊκές χώρες μόνο** ENH101-16  
**EK – Δήλωση συμμόρφωσης**

**Η Εταιρία Makita ως υπεύθυνος κατασκευαστής, δηλώνει ότι το παρακάτω μηχάνημα ή μηχανήματα της Makita:**

Όνομασία Μηχανήματος: Δισκοπρίονο

Αρ. Μοντέλου/ Τύπος: 5008MG

αποτελεί παραγωγή σε σειρά και

**Συμμορφώνεται με τις ακόλουθες Ευρωπαϊκές**

**Οδηγίες:**

2006/42/EK

Και κατασκευάζονται σύμφωνα με τα παρακάτω πρότυπα ή τυποποιημένα έγγραφα:

EN60745

Τα τεχνικά έγγραφα διατηρούνται από το:

Makita International Europe Ltd.

Technical Department,

Michigan Drive, Tongwell,

Milton Keynes, Bucks MK15 8JD, England

30. 1. 2009



Tomoyasu Kato

Διευθυντής

Makita Corporation

3-11-8, Sumiyoshi-cho,

Anjo, Aichi, 446-8502, JAPAN





**Makita Corporation**  
Anjo, Aichi, Japan

[www.makita.com](http://www.makita.com)

884738D990

ALA