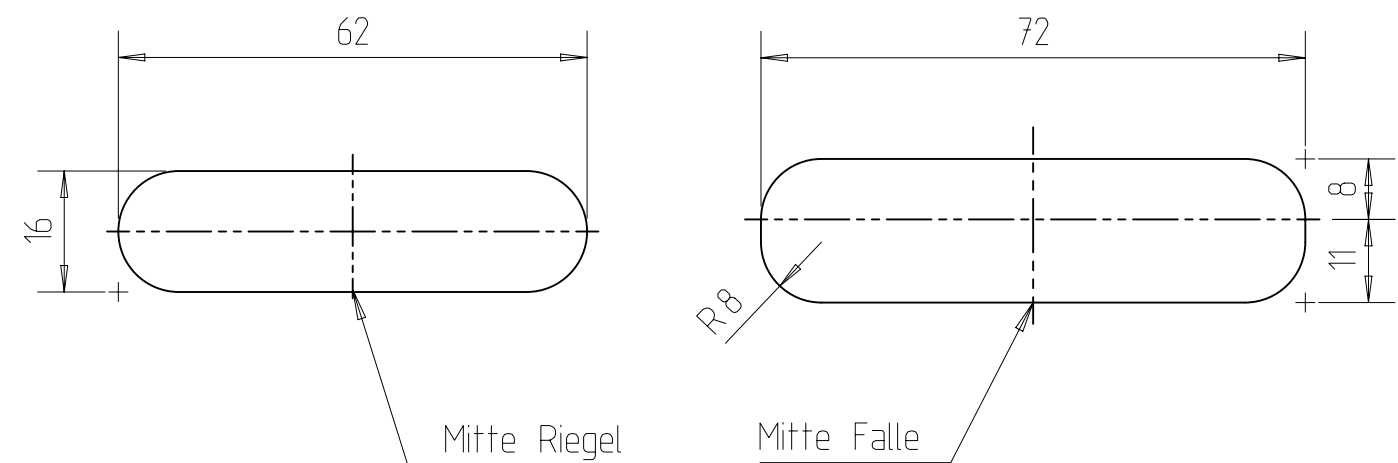
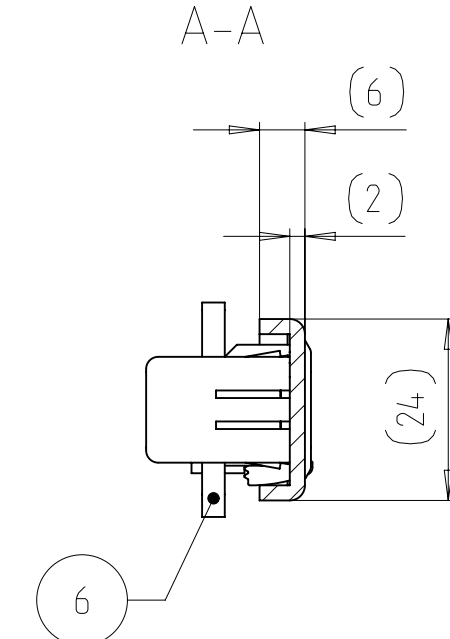
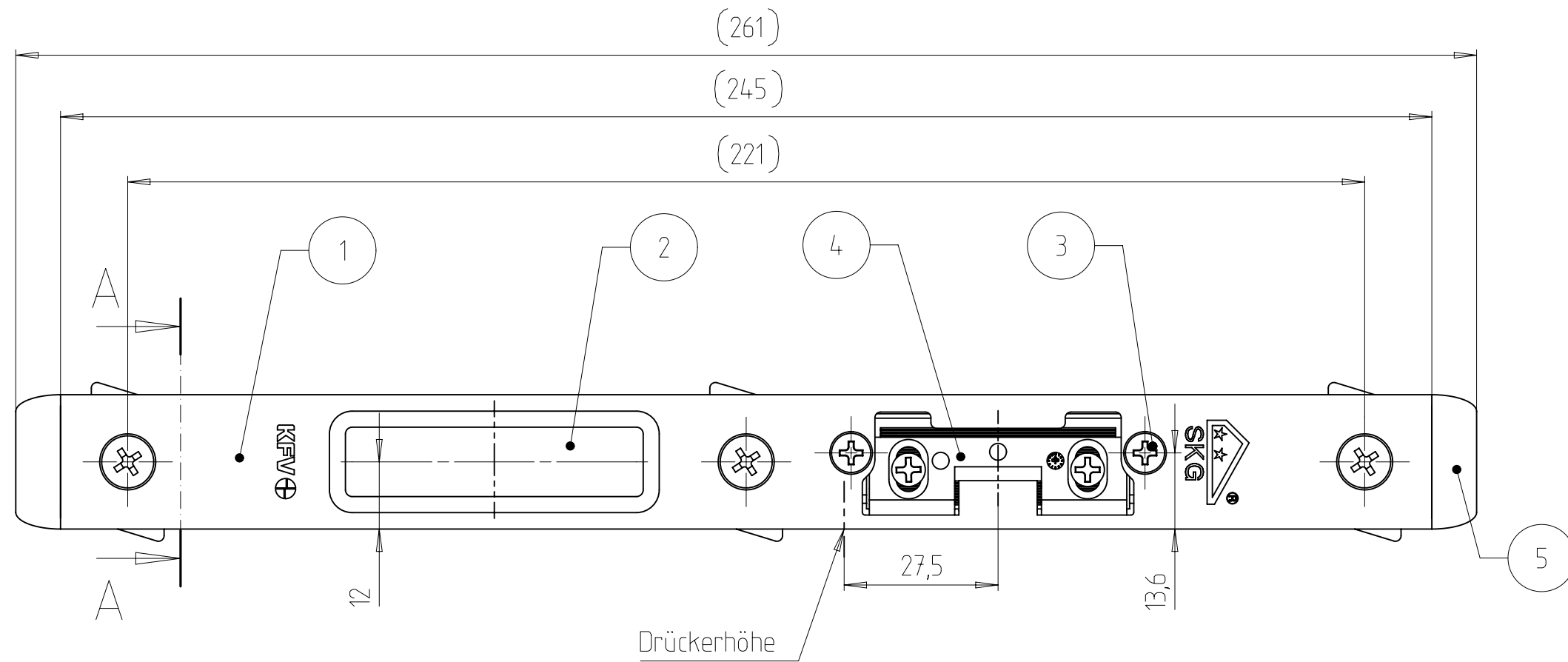
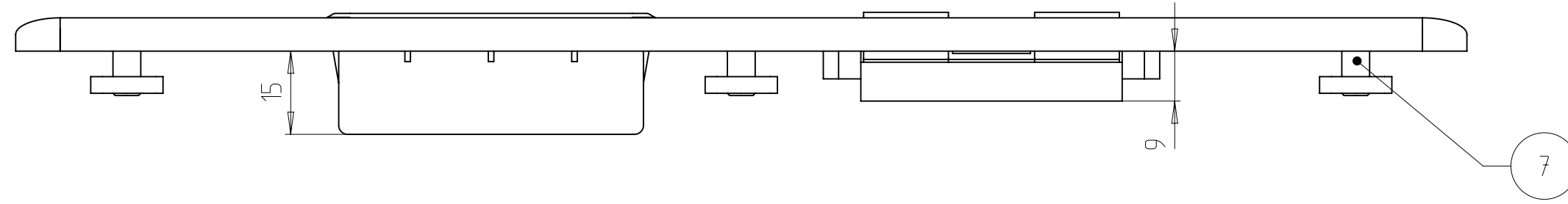
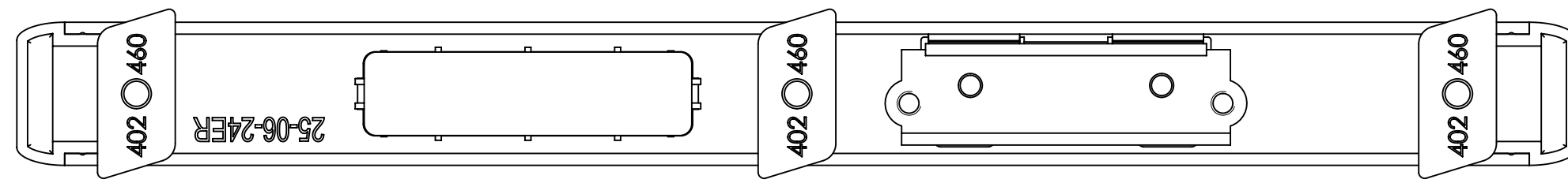


The Drawing and its contents are to be kept secret from third parties, particularly competitors. The drawing and documents which go with it are not to be duplicated either in local or extract, or used in other documentation without express approval (S15 and 38 lüchd - §1 and 18 lüchd). A reservation of rights in accordance with §12 PatG is declared for the event that a patent is granted.



Frästiefe = angegebene Tiefe + min. 1 mm

Fräser  $\varnothing$  16 mm  
Anlauring  $\varnothing$  27 mm

gezeichnet DIN links  
spiegelbildlich DIN rechts

Artikel-Nr. auf der Rückseite geprägt

Tolerierung nach ISO 8015

Pos. 3 in Pos. 1 geklipst  
Pos. 2 mit Pos. 1 und 4 verschraubt  
Pos. 5 in Pos. 1 geklipst  
Pos. 1 und 6 mit Pos. 7 verschraubt

Pos	Benennung	Stck	PDM-Nr.	Bemerk
7	Senkschraube DIN 965H-AM5x14-A2	3	9.999.04394	
6	Gewindeplatte	3	9.402.00460	
5	Endkappe	2	9.811.00159	
4	AT_Stueck	1	7.803.00041	
3	Senkschraube DIN 965-M4x6	2	9.999.03370	
2	Hinterfuetterung	1	9.806.00080	
1	U-Profil-Schliessblech	1	9.861.21283	

Qty.	Type of Modification	ANT	Drawn	Approved	Date	
	04.07.2017	Y7176B				
Volume /mm <sup>3</sup>	Weight/g	Material-No.	Item-No.	Tool-No.		
27363	173,000		25-06-24ERH			
	Tolerance	Part-Description				
	ISO2768MK	U-Profil-Schliessblech				
Scale	Additional Notice	Klemmplatte				
	1 : 1					
Drawn	Baumeisters	<b>KFV</b>	Document No.	Doc. Part No.	Revision	Status
Date	03.07.2017		7.861.21284	000	00	20
Appr.	MM-Bachem		Replacement for :	Test procedure	Size	
Date	04.07.2017		Replaced by :		A2	