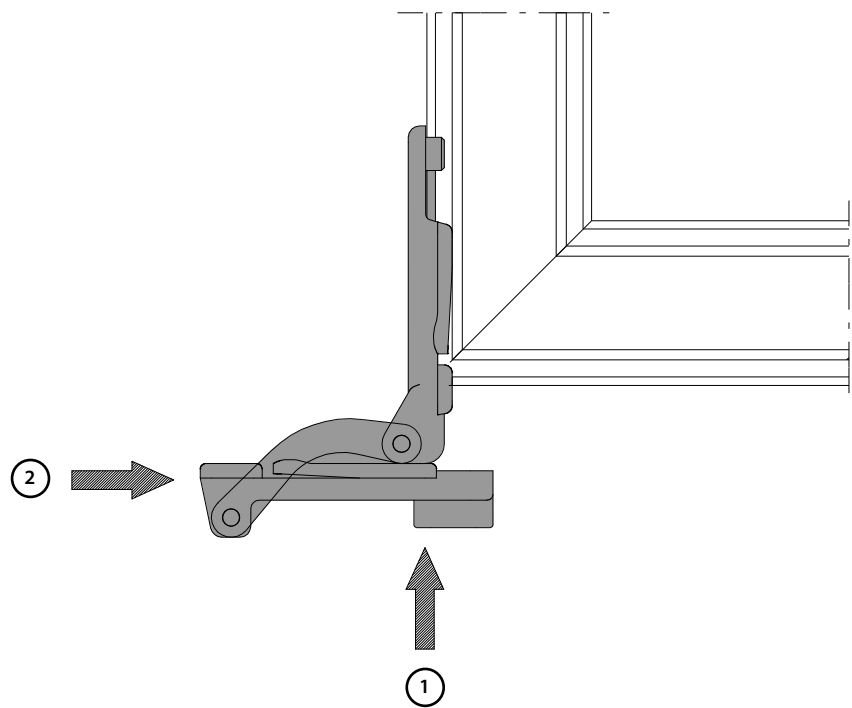
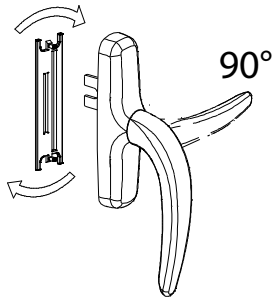
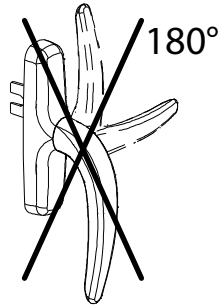
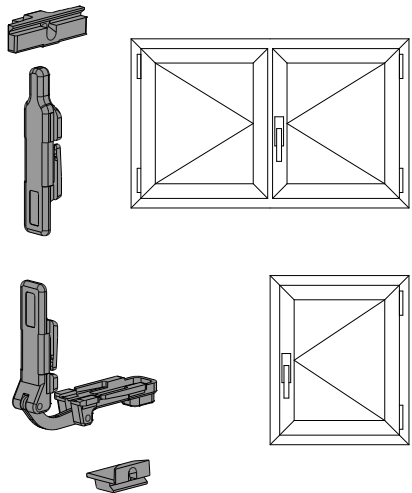
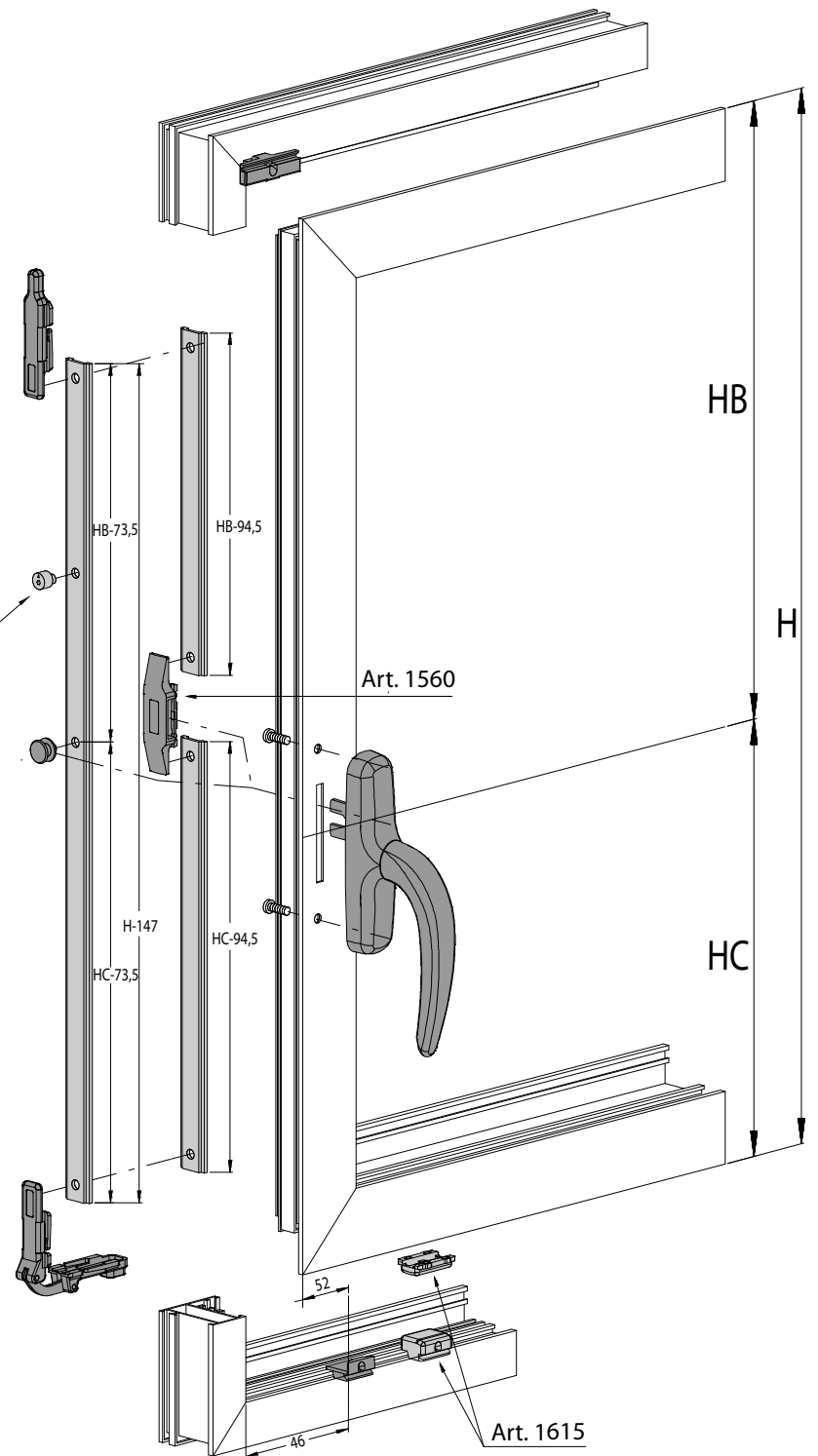


1679



Art. 1597

Art. 1596i5
Art. 1595i6



1681

